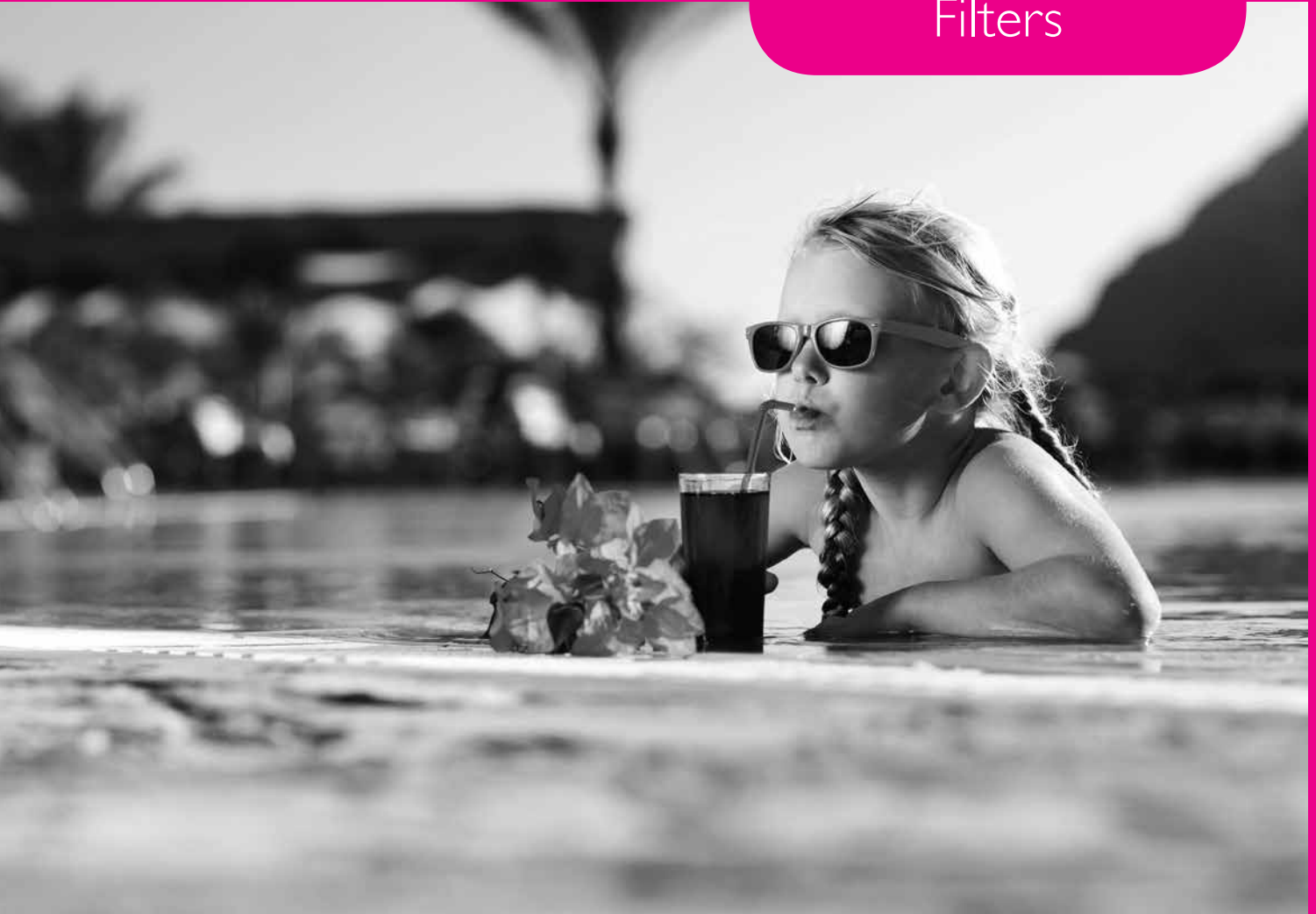


# Filters

61-90  
Filters



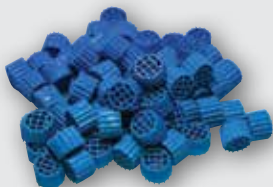
# Vision Filters With 10" Lid



## Features - Vision Filters

- Patented 10" lid - for ease of maintenance
- 10 year full tank warranty for residential installations
- Bobbin wound using the latest in fibreglass winding technology
- Clear mounting ring on top mount models - allows a clear view of filtration and backwashing during operation
- Multiport valve comes complete with 1.5" and 50mm quick connect unions
- Hydraulically balanced laterals to maximise water flow and filtration
- Automatic internal air bleed to expel any unwanted air in the tank
- Max working pressure 2.5 BAR
- Vision filters are NOT suitable for use with Baquacil

**Please Note:** Filters up to 30" ordered with media will not incur an additional carriage charge. However, due to the weight of filter media, 36" filters with media will incur an additional carriage charge. Please call Certikin for a quotation.



See page 73-76 for OC-1 Filtration Media.

## Vision Top Mount Filter

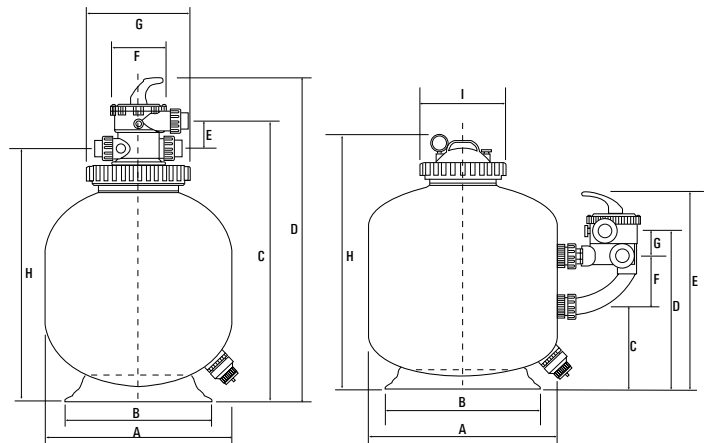
(C/W Vision Filter, Tank, Multiport & Pressure Gauge)

		Price
J	<b>FVS20T</b> 20" (500mm) Vision top mount filter - 10m <sup>3</sup> /hr	<b>£485.00</b>
J	<b>FVS24T</b> 24" (600mm) Vision top mount filter - 14m <sup>3</sup> /hr	<b>£542.00</b>
J	<b>FVS30T</b> 28" (710mm) Vision top mount filter - 19m <sup>3</sup> /hr	<b>£660.00</b>

## Vision Top Mount Filter

(C/W Vision Filter, Tank, Multiport, Pressure Gauge & Media)

		Price
J	<b>ZZFVS20T</b> 20" (500mm) Vision top mount filter - 10m <sup>3</sup> /hr + 90kg sand	<b>£545.00</b>
J	<b>ZZFVS24T</b> 24" (600mm) Vision top mount filter - 14m <sup>3</sup> /hr + 150kg sand	<b>£625.00</b>
J	<b>ZZFVS30T</b> 28" (710mm) Vision top mount filter - 19m <sup>3</sup> /hr + 220kg sand	<b>£785.00</b>



Code	A	B	C	D	E	F	G	H	I	Filter Area m <sup>2</sup>	Sand kg	Pipe Connections
<b>FVS20</b>	520	445	282	593	683	203	54	899	343	0.20	90	1.5" / 50mm
<b>FVS24</b>	622	484	317	574	717	203	54	957	343	0.28	140	1.5" / 50mm
<b>FVS30</b>	772	620	337	642	799	203	102	1030	343	0.44	210	2" / 63mm
<b>FVS36</b>	923	620	387	693	850	203	102	1156	343	0.64	360	2" / 63mm
<b>FVS20T</b>	510	484	839	982	91	182	343	748	-	0.20	90	1.5" / 50mm
<b>FVS24T</b>	620	484	930	1073	91	182	343	839	-	0.28	160	1.5" / 50mm
<b>FVS30T</b>	720	620	941	1083	91	182	343	850	-	0.38	200	1.5" / 50mm

## Vision Side Mount Filter

(C/W Vision Filter, Tank, Multiport, Pressure Gauge)

		Price
J	<b>FVS20</b> 20" (500mm) Vision side mount filter - 10m <sup>3</sup> /hr	<b>£552.00</b>
J	<b>FVS24</b> 24" (600mm) Vision side mount filter - 14m <sup>3</sup> /hr	<b>£608.00</b>
J	<b>FVS30</b> 30" (760mm) Vision side mount filter - 21m <sup>3</sup> /hr	<b>£940.00</b>
J	<b>FVS36</b> 36" (900mm) Vision side mount filter - 31m <sup>3</sup> /hr	<b>£1395.00</b>

## Vision Side Mount Filter

(C/W Vision Filter, Tank, Multiport, Pressure Gauge & Media)

		Price
J	<b>ZZFVS20</b> 20" (500mm) Vision side mount filter - 10m <sup>3</sup> /hr + 90kg sand	<b>£613.00</b>
J	<b>ZZFVS24</b> 24" (600mm) Vision side mount filter - 14m <sup>3</sup> /hr + 140kg sand	<b>£692.00</b>
J	<b>ZZFVS30</b> 30" (760mm) Vision side mount filter - 21m <sup>3</sup> /hr + 210kg sand	<b>£1055.00</b>
J	<b>ZZFVS36</b> 36" (900mm) Vision side mount filter - 31m <sup>3</sup> /hr + 360kg sand	<b>£1570.00</b>

# Hydroswim Filters



Certikin Hydroswim Top Mount Filters  
(C/W Multiport Valve & Pressure Gauge)

		Price
<b>J EHS520/T</b>	20" Top mount filter + 1.5" valve	<b>£452.00</b>
<b>J EHS640/T</b>	25" Top mount filter + 1.5" valve	<b>£575.00</b>
<b>J EHS760/T</b>	30" Top mount filter + 2" valve	<b>£720.00</b>

Certikin Hydroswim Top Mount Filters  
(C/W Multiport Valve, Pressure Gauge & Media)

		Price
<b>J ZZ2620/T</b>	20" Top mount filter, 1.5" valve & media	<b>£476.00</b>
<b>J ZZ2625/T</b>	25" Top mount filter, 1.5" valve & media	<b>£618.00</b>
<b>J ZZ2630/T</b>	30" Top mount filter, 2" valve & media	<b>£714.00</b>



Certikin Hydroswim Side Mount Filters  
(C/W Multiport Valve & Pressure Gauge)

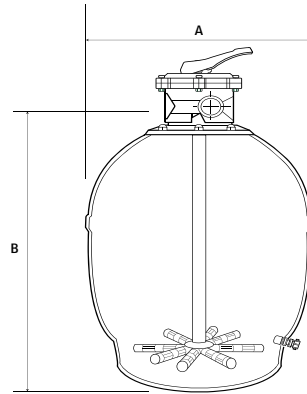
		Price
<b>J EHS520V</b>	20" side mount filter & 1.5" valve 10m <sup>3</sup> hr	<b>£490.00</b>
<b>J EHS640V</b>	25" side mount filter & 1.5" valve 15m <sup>3</sup> hr	<b>£575.00</b>
<b>J EHS760V</b>	30" side mount filter & 2" valve 22m <sup>3</sup> hr	<b>£733.00</b>
<b>J EHS900V</b>	36" side mount filter & 2" valve 33m <sup>3</sup> hr	<b>£947.00</b>

Certikin Hydroswim Side Mount Filters Complete  
(C/W Multiport Valve, Pressure Gauge & Media)

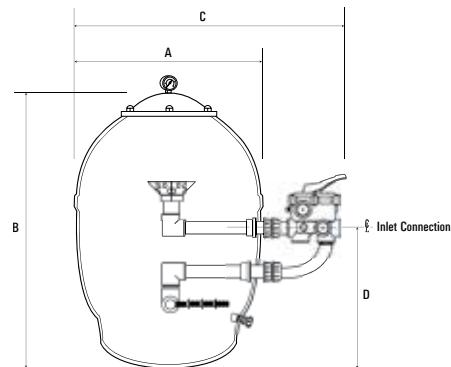
		Price
<b>J ZZ2620</b>	20" side mount filter, 1.5" valve, pressure gauge & media - 10m <sup>3</sup> hr	<b>£509.00</b>
<b>J ZZ2625</b>	25" side mount filter, 1.5" valve, pressure gauge & media - 15m <sup>3</sup> hr	<b>£587.00</b>
<b>J ZZ2630</b>	30" side mount filter, 2" valve, pressure gauge & media - 22m <sup>3</sup> hr	<b>£799.00</b>
<b>J ZZ2636</b>	36" side mount filter, 2" valve, pressure gauge & media - 33m <sup>3</sup> hr	<b>£1018.00</b>

## Features for Hydroswim Filters - Top & Side Mount

- Reinforced polyester resin and glass fibre sand filter.
- Fitted with pressure gauge, manual water drain, manual air vent
- Includes 6-way valve
- Maximum working pressure 2.5 Bar (test pressure 3 Bar)
- Filtration velocity 50m<sup>3</sup>/h/m<sup>2</sup>



Model Size Filter	(mm)	Conn	Flow m <sup>3</sup> /h	Gravel weight Kg	Sand Kg	Filter Weight Kg	Dia (mm) (A)	Height mm (B)
20"	520	1.5"	10	25	75	17	520	960
25"	640	1.5"	15	50	100	22	640	1050
30"	760	2"	22	50	175	23	760	1240
36"	900	2"	33	75	250	-	-	-



Model Size Filter	(mm)	Conn	Flow m <sup>3</sup> /h	Gravel weight Kg	Sand Kg	Filter Weight Kg	Dia (mm) (A)	Height mm (B)	Height mm (C)	Height to valve mm (D)
20"	520	1.5"	10	25	75	18	520	855	810	448
25"	640	1.5"	15	50	100	23	640	920	930	450
30"	760	2"	22	50	175	34	760	1070	1090	527
36"	900	2"	33	75	250	43	900	1095	1230	475



**Please Note: Filters up to 30" ordered with media will not incur an additional carriage charge. However, due to the weight of filter media, 36" filters with media will incur an additional carriage charge. Please call Certikin for a quotation.**

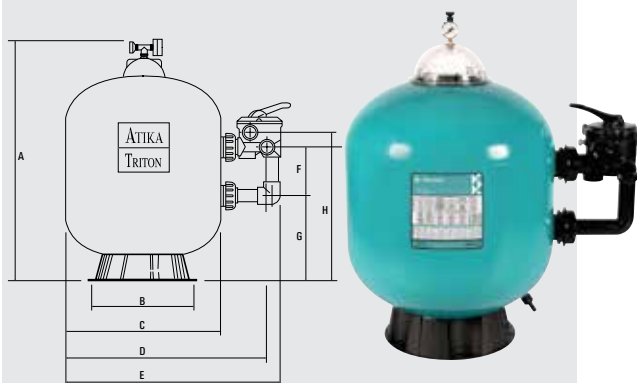


See page 73-76 for OC-1 Filtration Media.

# Triton & Tagelus Filters & Deep Bed Filters



	A	B	C	D	E	F	G	H
TAG19	878	400	480	-	-	-	-	-
TAG24	1009	400	610	-	-	-	-	-
TAG30	1170	610	763	-	-	-	-	-



	A	B	C	D	E	F	G	H
TRT19	825	400	480	654	705	190	274	524
TRT24	955	400	610	781	838	190	337	591
TRT30	1095	610	762	975	1060	190	410	673
TRT36	1200	610	914	1116	1213	190	480	738



Due to the weight of filter media, 36" filters with media will incur an additional carriage charge. Filters up to 30" will not incur this charge. Please call Certikin for a quotation.



## Tagelus Top Mount Filter

(C/W Tagelus Filter Tank, Multiport Valve & Pressure Gauge)

		Price
J	TAG19 19" (480mm) Top Mount Filter - 8.5m <sup>3</sup> /hr	£523.50
J	TAG24 24" (610mm) Top Mount Filter - 14m <sup>3</sup> /hr	£628.00
J	TAG30 30" (763mm) Top Mount Filter - 22m <sup>3</sup> /hr	£931.50

## Tagelus Top Mount Filter - Complete

(C/W Filter, Multiport Valve & Pressure Gauge, & Media)

		Price
J	ZZTA2340 19" (480mm) Tagelus Top Mount Filter - 75kg sand, 25kg pea gravel	£594.50
J	ZZTA2341 24" (610mm) Tagelus Top Mount Filter - 150kg sand, 25kg pea gravel	£744.00
J	ZZTA2442 30" (763mm) Tagelus Top Mount Filter - 250kg sand, 50kg pea gravel	£1124.00

## Triton Side Mount Filter

(C/W Triton Filter Tank, Multiport Valve, Pressure Gauge)

		Price
J	TRT19 19" (480mm) Side Mount - 8.5m <sup>3</sup> /hr (TR40)	£742.00
J	TRT24 24" (610mm) Side Mount - 14.0m <sup>3</sup> /hr (TR60)	£873.50
J	TRT30 30" (763mm) Side Mount - 22.0m <sup>3</sup> /hr (TR100)	£1290.00
J	TRT36 36" (914mm) Side Mount - 32.0m <sup>3</sup> /hr (TR140)	£1715.50

## Triton Side Mount Filters Complete

(C/W Filter, Multiport Valve, Pressure Gauge & Media)

		Price
J	ZZTR2460 19" (480mm) Triton Side Mount Filter - 50kg sand, 25kg pea gravel	£814.00
J	ZZTR2461 24" (610mm) Triton Side Mount Filter - 100kg sand, 50kg pea gravel	£986.00
J	ZZTR2462 30" (763mm) Triton Side Mount Filter - 200kg sand, 75kg pea gravel	£1499.00
J	ZZTR2463 36" (914mm) Triton Side Mount Filter - 325kg sand, 125kg pea gravel	£2031.00

**Filter Media Advice** - Your attention is drawn to the advice being offered by the manufacturers of Triton & Tagelus filters in the use of a graded bed of gravel 3.5mm and filter sand 0.35 - 0.5mm. The use of the graded bed is an established practice to assist filtration and backwashing cycles. Sand is still the most widely used medium for effective filtration in swimming pool treatment. Our technical department will be only too pleased to assist in providing guidance on this subject.

## Certikin Deep Bed Filters C/W Multiport valve

		Price
J	FDB500 19" (480mm) Side Mount - 8.5m <sup>3</sup> /hr (TR40)	£895.00
J	FDB600 14000 L/H, Ø600mm, 1.5" connections	£1045.00
J	FDB750 21000 L/H, Ø750mm, 2" connections	£1275.00

Model (mm)	Diameter	Connections	Filtration Area	Flow Rate	Media	Max Working Pressure
FDB500	500mm	1.5"	0.19m <sup>2</sup>	9.5m <sup>3</sup> /h	195kg	2.5kg/cm <sup>2</sup>
FDB600	600mm	1.5"	0.30m <sup>2</sup>	15m <sup>3</sup> /h	280kg	2.5kg/cm <sup>2</sup>
FDB750	750mm	2"	0.44m <sup>2</sup>	22m <sup>3</sup> /h	518kg	2.5kg/cm <sup>2</sup>

Model (mm)	Ø	H	N	M
FDB500	500	1365	480	605
FDB600	600	1370	480	605
FDB750	750	1434	435	665



See page 73 -76 for OC-1 Filtration Media.

# Lacron Filters

Lacron Filters



## Lacron Side Mount Filters

(Filter Tank, Multiport Valve & Pressure Gauge)

		Price
J	<b>CL16</b> 16" tank, 1.5" valve & pressure gauge 6.5m <sup>3</sup> /h	<b>£484.00</b>
J	<b>CL18</b> 18" tank, 1.5" valve & pressure gauge 8.5m <sup>3</sup> /h	<b>£556.00</b>
J	<b>CL24</b> 24" tank, 1.5" valve & pressure gauge 14.5m <sup>3</sup> /h	<b>£705.00</b>
J	<b>CL30</b> 30" tank, 2" valve & pressure gauge 22.5m <sup>3</sup> /h	<b>£1184.00</b>
J	<b>CL36</b> 36" tank, 2" valve & pressure gauge 31m <sup>3</sup> /h - clamp ring	<b>£2215.00</b>
J	<b>CL42</b> 42" tank, 3" valve & pressure gauge 43m <sup>3</sup> /h - clamp ring	<b>£3090.00</b>
J	<b>CLPS2</b> 2" valve connecting pipe set for 30" tank	<b>£56.65</b>
J	<b>CLPS15N</b> 1.5" valve connecting pipe set for 18" & 24" tank	<b>£28.35</b>

## Lacron Side Mounted Filter Tanks - Complete

(Filter Tank, Multiport Valve, Pressure Gauge & Sand)

		Price
J	<b>ZZ1654</b> 16" tank, MPV, pressure gauge, 50kg sand	<b>£508.00</b>
J	<b>ZZ2355</b> 18" tank, MPV, pressure gauge, 75kg sand	<b>£582.00</b>
J	<b>ZZ2356</b> 24" tank, MPV, pressure gauge, 125kg sand	<b>£751.00</b>
J	<b>ZZ2357</b> 30" tank, MPV, pressure gauge, 200kg sand	<b>£1262.00</b>
J	<b>ZZ2358</b> 36" tank, MPV, pressure gauge, 400kg sand	<b>£2310.00</b>
J	<b>ZZ2359</b> 42" tank, MPV, pressure gauge, 550kg sand	<b>£3281.00</b>

## Lacron Top Mount Filter Tanks

(Filter tank, Multiport Valve & Pressure Gauge)

		Price
J	<b>CL18TM</b> 18" tank, valve & pressure gauge	<b>£512.00</b>
J	<b>CL24TM</b> 24" tank, valve & pressure gauge	<b>£688.00</b>

## Lacron Top Mount Filter Tanks - Complete

(Filter tank, Multiport Valve, Pressure Gauge & Media)

		Price
J	<b>ZZ3200</b> 18" tank, valve, pressure gauge & media	<b>£547.00</b>
J	<b>ZZ3210</b> 24" tank, valve, pressure gauge & media	<b>£751.00</b>

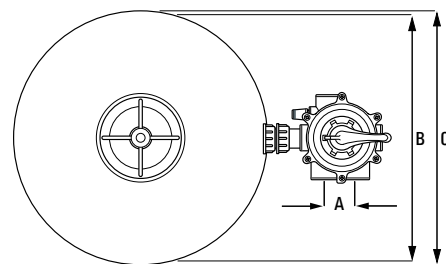
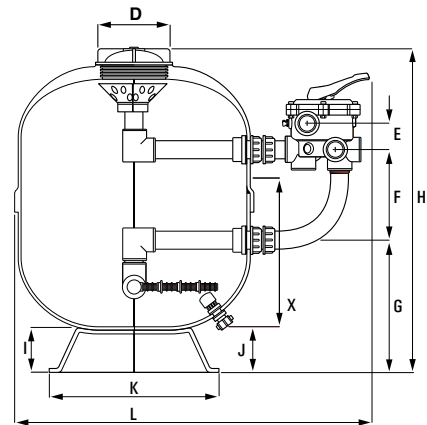
## Lacron Finaflow Filters - Tank Only

		Price
E	<b>FF24416</b> 24" Finaflow - standard 13.5m <sup>3</sup> /hr	<b>£3112.00</b>
E	<b>FF30416</b> 30" Finaflow - standard 20.0m <sup>3</sup> /hr	<b>£3910.00</b>
E	<b>FF42416</b> 42" Finaflow - standard 43.0m <sup>3</sup> /hr	<b>£5510.00</b>

## Lacron Finaflow Filters

(Tank, Multiport Valve & Pressure Gauge - No Media)

		Price
E	<b>ZZ3250NS</b> 24" Finaflow - standard	<b>£3246.00</b>
E	<b>ZZ3260NS</b> 30" Finaflow - standard	<b>£4050.00</b>
E	<b>ZZ3270NS</b> 42" Finaflow - standard	<b>£5647.00</b>



## Dimensions

	CL16	CL18	CL24	CL30	CL36	CL42
A	78	78	78	70	128	128
B	450	460	610	762	915	1100
C	465	475	625	780	945	1130
D	230	230	230	230	230	230
E	54	54	54	81	110	110
F	204	204	204	214	300	325
G	235	240	295	290	300	350
H	620	660	730	780	945	965
I	65	65	65	85	90	95
J	70	70	70	90	90	90
K	374	374	484	620	945	965
L	725	780	945	1100	1385	1570
X	300	350	380	400	500	550

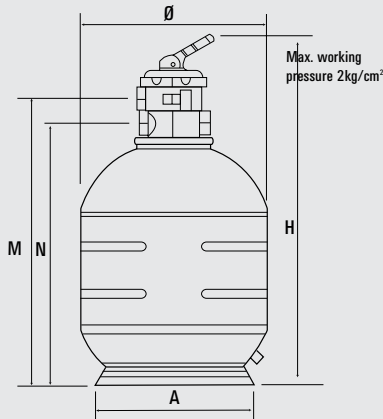


36" & 42" Lacron Filters feature this type of lid

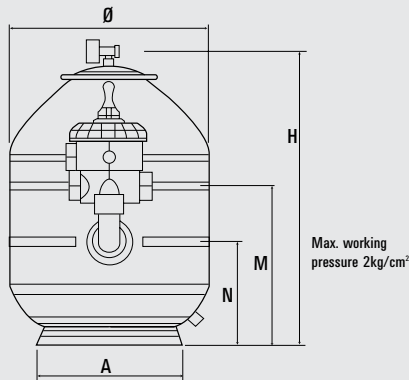


**Please Note:** Filters up to 30" ordered with media will not incur an additional carriage charge. However, due to the weight of filter media, 36" filters with media will incur an additional carriage charge. Please call Certikin for a quotation.

# Brasil, Thermoplastic & Exotuff Filters



	Ø	H	A	N	M
Brasil - Top	400mm	825mm	340mm	595mm	660mm
	450mm	870mm	340mm	645mm	705mm
	500mm	915mm	430mm	690mm	750mm
	600mm	1015mm	430mm	790mm	850mm



	Ø	H	A	N	M
Brasil - Side	400mm	610mm	340mm	235mm	360mm
	450mm	655mm	340mm	230mm	355mm
	500mm	700mm	430mm	240mm	365mm
	600mm	800mm	430mm	290mm	415mm



### Exotuff Filter Specifications

Model Size Filter	Tank Dia (mm)	Height (mm)	Valve Size	Filter Area (sq.m)	Filter Media (kg)	Max Flow (m <sup>3</sup> /hr)
20"	547	820	1.5"	0.20	90	10
24"	650	942	1.5"	0.28	130	14



**Please Note:** Filters up to 30" ordered with media will not incur an additional carriage charge. However, due to the weight of filter media, 36" filters with media will incur an additional carriage charge. Please call Certikin for a quotation.



### Brasil Filter - C/W Top Mount Valve & Pressure Gauge

Model	Filter Size	Flow Rate	Price
E FBT400	400mm (15") filter	6m <sup>3</sup> /h 1.5" connections	£196.50
E FBT450	450mm (18") filter	8m <sup>3</sup> /h 1.5" connections	£211.50
E FBT500	500mm (20") filter	10m <sup>3</sup> /h 1.5" connections	£265.50
E FBT600	600mm (24") filter	14m <sup>3</sup> /h 1.5" connections	£308.00

### Brasil Filter - C/W Side Mount Valve & Pressure Gauge

Model	Filter Size	Flow Rate	Price
E ZZFB3400	400mm (15") filter	6m <sup>3</sup> /h 1.5" connections	£247.50
E ZZFB3450	450mm (18") filter	8m <sup>3</sup> /h 1.5" connections	£262.50
E ZZFB3500	500mm (20") filter	10m <sup>3</sup> /h 1.5" connections	£290.00
E ZZFB3600	600mm (24") filter	14m <sup>3</sup> /h 1.5" connections	£339.00



### Thermoplastic Filters

All filters come complete with a six way multiport valve (including 1.5" socket unions), pressure relief valve, pressure gauge and sight glass.

### Thermoplastic Filter Specifications

Model Size Filter	Tank Dia (mm)	Height (mm)	Valve Size	Filter Area (sq.m)	Filter Media (kg)	Max Flow (m <sup>3</sup> /hr)
18"	508	855	1.5"	0.16	75	8

### Thermoplastic Filter

Model	Filter Size	Flow Rate	Price
D ZTH18	450mm / 18" filter C/W multiport valve, pressure gauge only		£309.00
D ZZTH18	450mm / 18" filter C/W multiport valve, pressure gauge & media		£357.00

### Exotuff Filters (C/W Multiport Valve & Press Gauge)

Model	Filter Size	Flow Rate	Price
D ZEX20T	500mm/20" Exotuff filter C/W top mount multiport valve, pressure gauge		£376.00
D ZEX24T	600mm/24" Exotuff filter C/W top mount multiport valve, pressure gauge		£463.50
D ZEX24	600mm/24" Exotuff filter C/W side mount multiport valve, pressure gauge		£615.00

### Exotuff Filters (C/W Multiport Valve & Press Gauge & Media)

Model	Filter Size	Flow Rate	Price
D ZZEX20T	500mm / 20" Exotuff filter - top mount		£430.00
D ZZEX24T	600mm / 24" Exotuff filter - top mount		£525.00
D ZZEX24	600mm / 24" Exotuff filter - side mount		£670.00

# blue by RiioT

## The smart pool analyzer

Using blue and its smartphone app, get instant data on your pool water quality and temperature.

A RIIOT LABS  
INNOVATION



**Certikin**

Distributed by

**FLUIDRA**

# Filter & Pump Combinations



Vision Top or side mount filter & Aquaspeed pump

Vision Top or side mount filter & Eurospeed pump



Exotuff Filter & Swimflo HPS Pump



Lacron Filter & Aquaspeed Pump

## Vision Filter & Aquaspeed Pump Combinations

		Price
J	ZZFVS20T/P 20" (500mm) Top mount filter with valve, sand and 0.75HP Aquaspeed pump	£930.00
J	ZZFVS24T/P 24" (600mm) Top mount filter with valve, sand and 1HP Aquaspeed pump	£1015.00
J	ZZFVS30T/P 28" (710mm) Top mount filter with valve, sand and 1.5HP Aquaspeed pump	£1185.00
J	ZZFVS20/P 20" (500mm) Side mount filter with valve, sand and 0.75HP Aquaspeed pump	£995.00
J	ZZFVS24/P 24" (600mm) Side mount filter with valve, sand and 1HP Aquaspeed pump	£1080.00
J	ZZFVS30/P 30" (760mm) Side mount filter with valve, sand and 1.5HP Aquaspeed pump	£1450.00
J	ZZFVS36/P 36" (900mm) Side mount filter with valve, sand and 2HP Aquaspeed pump	£1944.00

## Vision Filter & Euroswim Pump Combination

		Price
J	ZZFVS20T/EUP051 20" Top mount filter, valve, sand & 0.5HP Euroswim 1 Ph pump (10m <sup>3</sup> /hr @ 10 m head)	£915.00
J	ZZFVS24T/EUP071 24" Top mount filter, valve, sand and 0.75HP Euroswim 1 Ph pump (14m <sup>3</sup> /hr @ 10 m head)	£1002.00
J	ZZFVS30T/EUP101 28" Top mount filter, valve, sand and 1HP Euroswim 1 Ph pump (18m <sup>3</sup> /hr @ 10 m head)	£1170.00
J	ZZFVS20/EUP051 20" Side mount filter, valve, sand and 0.5HP Euroswim 1 Ph pump (10m <sup>3</sup> /hr @ 10 m head)	£985.00
J	ZZFVS24/EUP071 24" Side mount filter, valve, sand and 0.75HP Euroswim 1 Ph pump (14m <sup>3</sup> /hr @ 10 m head)	£1075.00
J	ZZFVS30/EUP101 30" Side mount filter, valve, sand and 1HP Euroswim 1 Ph pump (18m <sup>3</sup> /hr @ 10 m head)	£1430.00
J	ZZFVS36/EUP201 36" Side mount filter, valve, sand and 1HP Euroswim 1 Ph pump (28m <sup>3</sup> /hr @ 10 m head)	£1960.00

## Thermoplastic/Exotuff Filter & Swimflo Pump (C/W Multiport Valve, Media, Swimflo Pump & Base)

		Price
J	ZZTH18P 18" Thermoplastic filter, valve, sand, 0.5HP Swimflo pump & base	£755.00
J	ZZTH20P 20" Exotuff filter, valve, sand, 0.75HP Swimflo pump & base	£835.00
J	ZZEX24P 24" Exotuff filter, valve, sand, 1HP Swimflo pump & base	£872.00

## Lacron Filter & Aquaspeed Pump - (Lacron Filter Tank, Multiport Valve, Pressure Gauge, Media & Aquaspeed Pump)

		Price
J	ZZ2550 16" Lacron tank with 0.5HP (0.375kW) Aquaspeed pump	£958.00
J	ZZ2551 18" Lacron tank with 0.75HP (0.56kW) Aquaspeed pump	£1016.00
J	ZZ2552 24" Lacron tank with 1HP (0.75kW) Aquaspeed pump	£1199.00
J	ZZ2554 30" Lacron tank with 1.5HP (1.5kW) Aquaspeed pump	£1722.00
J	ZZ2555 36" Lacron tank with 2HP (2.25kW) Aquaspeed pump	£2655.00



**Please Note:** Filters up to 30" ordered with media will not incur an additional carriage charge. However, due to the weight of filter media, 36" filters with media will incur an additional carriage charge. Please call Certikin for a quotation.



# Filter & Pump Combinations

## Tagelus Top Mount Filter & Swimflo Pump

(Tagelus Filter Tank, Multiport Valve, Pressure Gauge, Media & Swimflo Pump) Price

J	ZZ2000P	19" (480mm) Tagelus Top Mount Filter with 0.5HP (0.37kW) Swimflo pump	£860.00
J	ZZ2001	19" (480mm) Tagelus Top Mount Filter with 0.75HP (0.56kW) Swimflo pump	£921.00
J	ZZ2002	24" (610mm) Tagelus Top Mount Filter with 1HP (0.75kW) Swimflo pump	£1062.00

## Tagelus Top Mount Filter & Aquaspeed Pump

(Tagelus Filter Tank, Multiport Valve, Pressure Gauge, Media & Aquaspeed) Price

J	ZZ2660	19" (480mm) Tagelus Top Mount Filter with 0.5HP (0.37kW) Aquaspeed pump	£917.00
J	ZZ2661	19" (480mm) Tagelus Top Mount Filter with 0.75HP (0.56kW) Aquaspeed pump	£954.00
J	ZZ2662	24" (610mm) Tagelus Top Mount Filter with 1HP (0.75kW) Aquaspeed pump	£1110.00
J	ZZ2663	24" (610mm) Tagelus Top Mount Filter with 1.5HP (1.1kW) Aquaspeed pump	£1140.00

## Triton Side Mount Filter & Aquaspeed Pump

(Triton Filter Tank, Multiport Valve, Pressure Gauge, Media & Aquaspeed) Price

J	ZZ2665	19" (480mm) Triton Side Mount Filter with 0.5HP (0.37kW) Aquaspeed pump	£1170.00
J	ZZ2666	19" (480mm) Triton Side Mount Filter with 0.75HP (0.56kW) Aquaspeed pump	£1190.00
J	ZZ2667	24" (610mm) Triton Side Mount Filter with 1HP (0.75kW) Aquaspeed pump	£1252.00
J	ZZ2668	24" (610mm) Triton Side Mount Filter with 1.5HP (1.1kW) Aquaspeed pump	£1370.00
J	ZZ2669	30" (763mm) Triton Side Mount Filter with 1.5HP (1.1kW) Aquaspeed pump	£1833.00
J	ZZ2670	30" (763mm) Triton Side Mount Filter with 2HP (1.5kW) Aquaspeed pump	£1870.00



Tagelus Top Mount Filter & Swimflo Pump

Tagelus Filter & Aquaspeed Pump Flow Rates (For guidance only)	Model (mm)	GPH/LPH	Valve	Pipe
	ZZ2665	1455/6633	1.5"	1.5"
	ZZ2666	1766/8053	1.5"	1.5"
	ZZ2667	2700/12285	1.5"	1.5"
	ZZ2668	318/15669	1.5"	1.5"
	ZZ2669	3450/16150	2"	2"
	ZZ2670	3720/16926	2"	2"



Triton Side Mount Filter & Aquaspeed Pump

Triton Filter & Aquaspeed Pump Flow Rates (For guidance only)	Model (mm)	GPH/LPH	Valve	Pipe
	ZZ2660	1400/6633	1.5"	1.5"
	ZZ2661	1500/6844	1.5"	1.5"
	ZZ2662	2800/12740	1.5"	1.5"
	ZZ2663	3180/15669	1.5"	1.5"

# Cartridge Filters & Multicyclone

## Opal XL Cartridge Filter

Constructed from high impact polypropylene and designed for easy maintenance, Opal XL cartridge filters house an extra large filter cartridge to maximise its dirt holding capacity and minimise filter maintenance, leading to significant water savings.

2" / 63mm inlet and outlet ports for maximum flow and minimum back pressure.



Trimline Filter



HAC225



HAC500



Multicyclone Plus

The Multicyclone is a filtration device that is capable of saving water and reducing filter maintenance.

The Multicyclone works on the basis of centrifugal water filtration. There are no moving parts to wear and tear, and no filter media to clean or replace.

The Multicyclone is ideal as a pre-filter to extend the life of your existing filter.

Multicyclone + Sand (granular) = Reduction in backwashing frequency & extends the life of the filter media

See Commercial Multicyclone on page 89



## Opal XL Cartridge Filters

		Price
<b>D OP225</b>	Opal XL cartridge filter 225 - 225sq.ft	<b>£680.44</b>
<b>D OP270</b>	Opal XL cartridge filter 270 - 270sq.ft	<b>£775.35</b>

## Trimline Cartridge Filter

		Price
<b>D CC50</b>	Trimline filter 50ft <sup>2</sup> (pools up to 60m <sup>3</sup> )	<b>£260.00</b>
<b>D CC75</b>	Trimline filter 75ft <sup>2</sup> (pools up to 90m <sup>3</sup> )	<b>£324.50</b>
<b>D CC100</b>	Trimline filter 100ft <sup>2</sup> (pools up to 120m <sup>3</sup> )	<b>£391.50</b>

	CC50	CC75	CC100
Max Area (m <sup>2</sup> )	4.6	6.9	9.3
Working Flow (m <sup>3</sup> /hr)	11.4	16.5	22.88
Working Pressure (kPa)	350	350	350
Pool Size (m <sup>3</sup> )	60	90	120
Overall Weight (kg)	10.1	10.1	10.1
Height (mm)	720	720	720

Constructed from high impact polypropylene and designed for easy maintenance. 10 year warranty; five years tank warranty and five years pro rata and 1 year warranty on all other components for domestic installations. (Commercial applications attract a 1 year tank warranty).

## Hayward Filters - Complete

		Price
<b>D HAC225</b>	25 sq ft cartridge filter (in-line)	<b>£203.50</b>
<b>D HAC500</b>	50 sq ft cartridge filter C500 - 50 g/p/m	<b>£591.00</b>



Multicyclone

## Multicyclone Plus Prefilter & Water Saver

		Price
<b>D MCC12</b>	Multicyclone Plus C/W 40 sq ft cartridge - suitable for pools up to 50m <sup>3</sup> / 1.5" (50mm)	<b>£509.00</b>
<b>D MCC16</b>	Multicyclone Plus C/W 40 sq ft cartridge - suitable for pools up to 80m <sup>3</sup> / 2" (63mm)	<b>£615.00</b>
<b>D MCC16/70</b>	Multicyclone Ultra - C/W 70 sq ft cartridge - suitable for pools up to 100m <sup>3</sup> / 2" (63mm)	<b>£711.00</b>
<b>D MCC01B</b>	Multicyclone Floor Mounted Base (optional)	<b>£72.10</b>
<b>D MCC01BPU</b>	Multicyclone base for Plus & Ultra models	<b>£72.10</b>
<b>D MCC01BOP</b>	Multicyclone base over pump version	<b>£119.50</b>

## Multicyclone Prefilter & Water Saver

		Price
<b>D MCC01/15</b>	Multicyclone Prefilter & Water Saver with 1.5" connections & 12 cyclones	<b>£333.00</b>
<b>D MCC01</b>	Multicyclone Prefilter & Water Saver with 2" connections & 16 cyclones	<b>£438.00</b>
<b>D MCC01B</b>	Multicyclone Floor Mounted Base (optional)	<b>£72.10</b>

# Multiport Valves & Accessories



Multiport Valve - 3D Filters  
**C MPV15/1** 1.5" multiport - model 1 - **£98.55**  
 for use with 3D filters



Multiport Valve - Lacron  
**C MPV15/3** 1.5" multiport - model 3 - **£102.85**  
 use with Lacron Filters



Multiport Valve  
**C MPV15/A** 1.5" multiport - all ports open **£117.65**



Multiport Valve - Atika/Triton  
**D MPV15/TR** 1.5" Atika/Triton kit side mount. Inc Face pipe work **£194.00**



Multiport Valve - Atika/Tagelus  
**D MPV15/TA** 1.5" Atika/Tagelus top mount multiport valve **£172.50**



Multiport Valve - Lacron  
**D CLMPVTM** 1.5" Lacron top mount multiport - screw type **£158.25**



Multiport Valve - Lacron  
**D CLMPV15** 1.5" Lacron side mount multiport valve kit **£154.50**



Multiport Valve - 3D Filters  
**C MPV20/1** 2" multiport - model 1 - for use with 3D filters **£129.00**



Multiport Valve - Lacron  
**C MPV20/3** 2" multiport - model 3 for use with Lacron Filters **£132.10**



Multiport Valve  
**C MPV20/A** 2" multiport model - all ports open **£162.25**



Multiport Valve - Atika/Triton  
**D MPV20/TR** 2" Atika/Triton multiport valve kit **£283.50**



Multiport Valve - Atika/Tagelus  
**D MPV20/TA** 2" Atika/ Tagelus top mount valve kit **£281.50**



Multiport Valve - Lacron  
**D CLMPV2** 2" Lacron side mount multiport valve kit **£218.50**



Multiport Valve  
**C MPV30** 3" multiport **£564.00**



Multiport Valve - Hydrosxim  
**C MPV15/HSS** 1.5" multiport Hydrosxim side mount **£136.00**

# Multiport Valves & Accessories



Multiport Valve - Thermoplastic  
**C TH-MPVCLAMP** 1.5" Thermoplastic top mount valve - clamp type **£180.00**



Multiport Valve - Hydroswim  
**C MPV20/HSS** 2" multiport Hydroswim side mount **£225.00**



Multiport Valve - Hydroswim  
**C MPV20/HST** 2" multiport Hydroswim top mount - Pre 2006 **£239.00**



Multiport Valve - Various  
**C MPV20MAX** 2" side mount multiport valve for Florida, Brasil, Alpine, FDB & Volcano **£144.00**



Multiport Valve - Max2000  
**C MPV15MAX** 1.5" Max2000 (yellow Hydroswim) side mount multiport valve **£89.00**



Multiport Valve - Vision  
**C VS-MPV** 1.5" Vision side mount multiport valve **£155.00**



Multiport Valve - Vision  
**C VS-MPV2** 2" Vision side mount multiport valve **£263.00**



Multiport Valve - Vision / Thermoplastic  
**C TH-MPV** Top Mount MPV - screw type - Vision & Thermoplastic **£142.00**



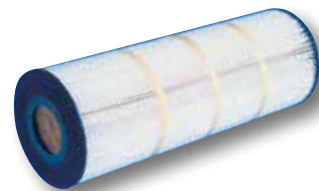
Multiport Valve - EHSV Hydroswim  
**C MPV20MAXE** 2" side mount multiport valve for EHSV Hydroswim **£135.00**



Certikin Pressure Gauge  
**C G3000** Certikin pressure gauge - side / base entry - 0.25" male BSP thread **£11.20**



Deluxe Pressure Gauge  
**D G3010** Glycerine filled back entry - side / base entry - 0.25" male BSP thread **£27.95**



See page 352 in the Spa section for a full selection of replacement cartridges



Deluxe Pressure Gauge  
**C G3010B** Deluxe Glycerine filled side entry - side / base entry - 0.25" male BSP thread **£30.80**



Pressure Gauge  
**C G3000B** 3D/Purex pressure gauge- back mount - 0.25" male BSP thread **£19.00**

# OC-1 Filtration Media



Unlike traditional methods that use entrapment, OC-1 works through settlement which means that the debris settles within the cells of OC-1 throughout the entire bed rather than being trapped on the top of the media bed. This new British manufactured filtration media has some exceptional benefits - by replacing commonly used media (such as sand and glass) with OC-1 it is possible to reduce the head loss in the filtration system and filter with a constant flow regardless of debris retention.

## OC-1 Filtration Media

		Price
V	OC-1/50 50 Litres OC-1 Filtration media	£63.00
V	OC-3/5 OC-3 Floating media for use with top mount filter	£10.95

To convert a side mount filter to OC-1 a new diffuser is required. See below for more details.

Any side mount filter can be converted

## Diffusers

		Price
V	ZZOC-1DIFF/15 1.5" Diffuser	£12.15
V	ZZOC-1DIFF/50 50mm Diffuser	£12.15
V	ZZOC-1DIFF/63 63mm Diffuser	£12.15

Commercial diffusers are available please contact the Commercial Department for details.

## High quality filtration

OC-1 has been proven to efficiently reduce the turbidity of pool water and retain particulate without increasing the pressure within the filter or reducing the flow. The debris capacity of OC-1 is more than 20 times that of sand or glass. OC-1 removes 81% of 10 micron particles in a single pass and can even remove particles as small as 1 micron without flocculation or coagulation.

## Lightweight

Unlike sand, gravel and glass, OC-1 is lightweight so easy to handle and transport. This is a huge advantage in terms of manual handling requirements, ease of installation and logistics.

OC-1 is supplied in 50 litre bags that each weigh approximately 9kg and have the equivalent volume of three 25kg bags of sand.

## Reduces pool running costs

OC-1 can reduce energy usage and water consumption. Its open cell formation makes it possible to achieve a greater flow of water through the filter. In many cases this means that pump speeds can be reduced by around 20%, without compromising the original flow, producing impressive energy savings. Alternatively, on new installations a smaller pump can be specified to produce the same flow – saving running costs and initial outlay. Due to its constant flow rate and huge debris capacity, OC-1 can reduce backwashing frequency and water consumption.

## Features

- Out performs traditional filter media
- Increased debris retention
- Decreased head loss
- Potential energy savings
- Lightweight
- Suitable for all applications
- Independently tested by IFTS



Diffuser Chart For OC-1 Media

	Filter Size	Pipe Size	Diffuser Code	Quantity
Vision Filters	20" (500mm) side mount	1.5"	ZZOC-1DIFF/15	1
	24" (600mm) side mount	1.5"	ZZOC-1DIFF/15	1
	30" (750mm) side mount	2" bushed to 2 x 1.5"	ZZOC-1DIFF/15	2
	36" (910mm) side mount	2" bushed to 2 x 1.5"	ZZOC-1DIFF/15	2
Lacron Filters	16" (400mm) side mount	1.5"	ZZOC-1DIFF/15	1
	18" (450mm) side mount	1.5"	ZZOC-1DIFF/15	1
	24" (600mm) side mount	1.5"	ZZOC-1DIFF/15	1
	30" (750mm) side mount	2" bushed to 2 x 1.5"	ZZOC-1DIFF/15	2
	36" (910mm) side mount	2" bushed to 3 x 1.5"	ZZOC-1DIFF/15	3
	42" (1100mm) side mount	3" bushed to 4 x 1.5"	ZZOC-1DIFF/15	4
Triton/Atika	19" (480mm) side mount	63mm	ZZOC-1DIFF/63	1
	24" (600mm) side mount	63mm	ZZOC-1DIFF/63	1
	30" (750mm) side mount	63mm	ZZOC-1DIFF/63	1
	36" (910mm) side mount	63mm	ZZOC-1DIFF/63	1
Brasil	15" (400mm) side mount	50mm	ZZOC-1DIFF/50	1
	18" (450mm) side mount	50mm	ZZOC-1DIFF/50	1
	20" (500mm) side mount	50mm	ZZOC-1DIFF/50	1
	24" (600mm) side mount	50mm	ZZOC-1DIFF/50	1
H/Swim Filters Florida Filters Hawaii Filters S/W Filters	20" (500mm) side mount	50mm	ZZOC-1DIFF/50	1
	25" (640mm) side mount	50mm	ZZOC-1DIFF/50	1
	30" (750mm) side mount	63mm	ZZOC-1DIFF/63	1
	36" (910mm) side mount	63mm	ZZOC-1DIFF/63	1

# OC-1 Filtration Media

## Tested to European Standards

The European Standard for Swimming Pool Filtration Medias EN16713-1 is the benchmark for any filtration media in Europe

OC-1 has been independently tested to EN16713-1 by the IFTS (Institut de la Filtration et des Techniques Séparatives). It passed all tests with flying colours and indeed surpassed certain tests to levels not seen before by the IFTS. The test results can be viewed in more detail on our website.



## Existing Installations

OC-1 filtration media is suitable for use on all pools & spas be they domestic, commercial or hydrotherapy. It is simple to convert an existing sand filter for use with OC-1 and take advantage of its benefits over traditional media such as sand or glass.

Further details of the conversion can be found at our website.

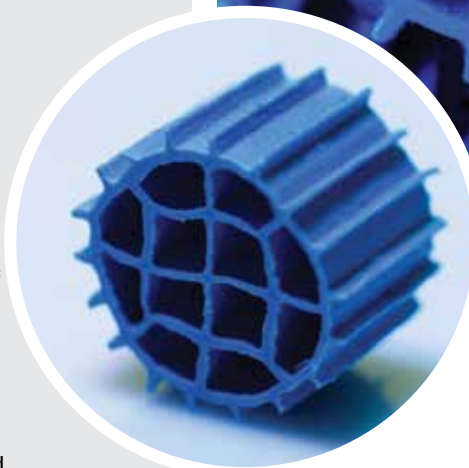
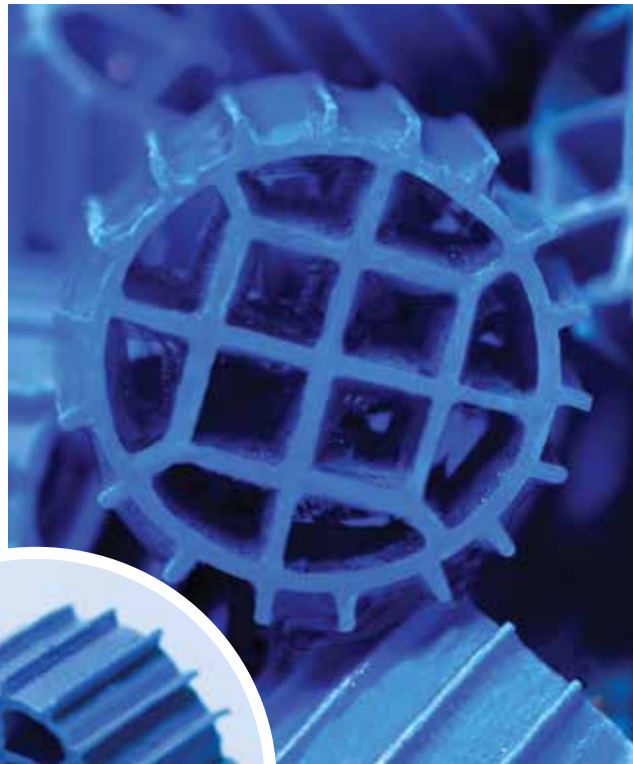
[www.oc-1filtrationmedia.com](http://www.oc-1filtrationmedia.com).

## New Installations

For new installations the OC-1 Filter is the obvious choice. Supplied complete with the OC-1 media it is specially design to work in perfect harmony with OC-1 and compliment the amazing advantages OC-1 can provide. The OC-1 Filter range covers all applications from small domestic to the largest commercial installations.

## Commercial Pools

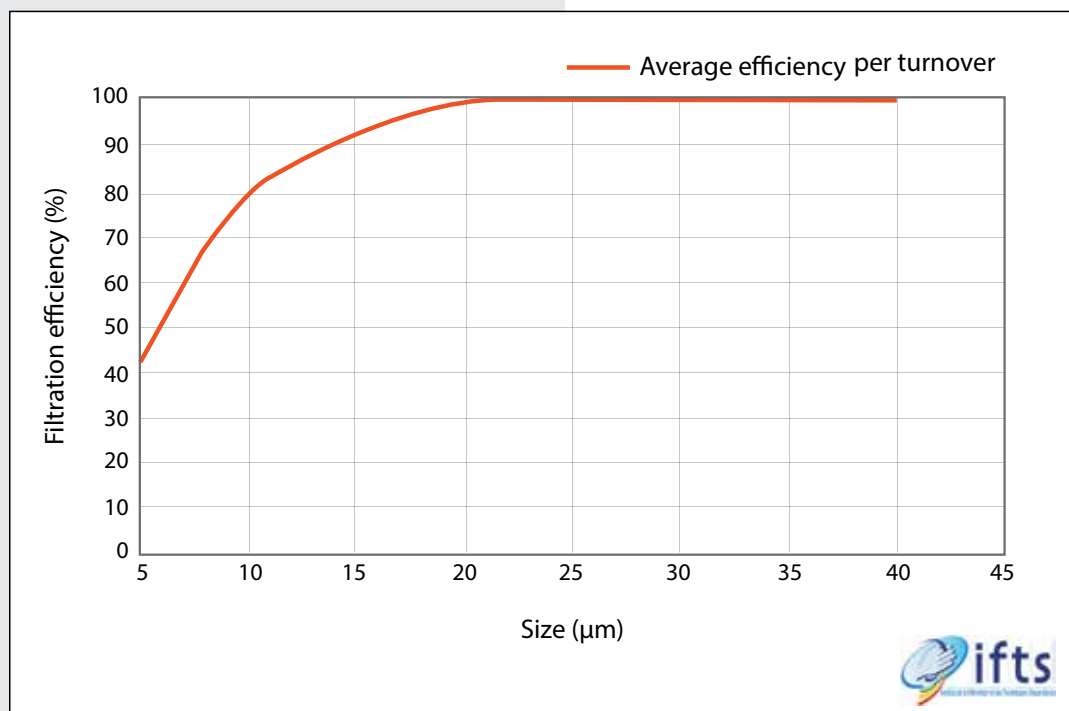
OC-1 media really excels in the commercial sector. Potential savings in running costs come from the ability to reduce pump speeds & reduced backwashing. Add to that the advantage for new installations of the filter arriving with the media already installed and you can see that OC-1 is the obvious choice for the commercial application.



## Retrofit - how to calculate the amount of OC-1 you will need

Take the Kg of sand or gravel in the filter and divide by 1.59. The result is the quantity of OC-1 required in litres.

eg.  $150\text{kg} \div 1.59 = 94$  litres  
or 2 bags (18kg).



# OC-1 Filtration Media



*"We changed our sand filter over to OC-1 at the beginning of the season and I have to say that the pool has been easier than ever to maintain and the water has remained crystal clear all season. I would have no hesitation recommending OC-1 filtration media."*

Domestic pool owner, UK.

Side Mount Filter - Domestic  
C/W MPV, Pressure Gauge & OC-1 Media

							Price
V	ZZOC-1/20	20"	OC-1	Side Mount Filter & OC-1 Media			£380.00
V	ZZOC-1/24	24"	OC-1	Side Mount Filter & OC-1 Media			£472.00
V	ZZOC-1/30	30"	OC-1	Side Mount Filter & OC-1 Media			£798.00
V	ZZOC-1/36	36"	OC-1	Side Mount Filter & OC-1 Media			£1110.00

### OC-1 Top Mount Filter Specifications (mm)

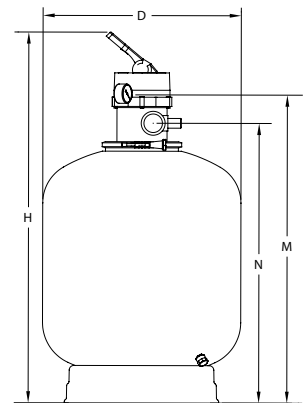
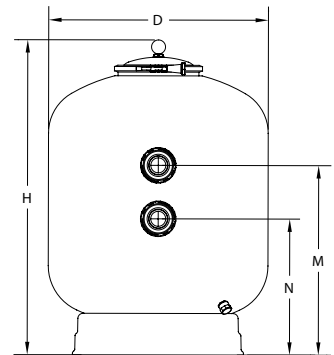
Ø	D	H	M	N	Conn	Flow	Max Pressure
20"	515	960	780	715	1.5"	9m <sup>3</sup> /hr	2.5BAR
24"	620	1030	855	790	1.5"	14m <sup>3</sup> /hr	2.5BAR
30"	780	1180	895	970	2"	21m <sup>3</sup> /hr	2.5BAR
36"	930	1320	1115	1035	2"	32m <sup>3</sup> /hr	2.5BAR

Top Mount Filter - Domestic  
C/W MPV, Pressure Gauge & OC-1 Media

							Price
V	ZZOC-1/20T	20"	OC-1	Side Mount Filter & OC-1 Media			£357.00
V	ZZOC-1/24T	24"	OC-1	Side Mount Filter & OC-1 Media			£440.00
V	ZZOC-1/30T	30"	OC-1	Side Mount Filter & OC-1 Media			£788.00
V	ZZOC-1/36T	36"	OC-1	Side Mount Filter & OC-1 Media			£1090.00

### OC-1 Side Mount Filter Specifications (mm)

Ø	D	H	M	N	Conn	Flow	Max Pressure
20"	515	755	295	125	1.5"	9m <sup>3</sup> /hr	2.5BAR
24"	620	830	325	125	1.5"	14m <sup>3</sup> /hr	2.5BAR
30"	780	915	325	230	2"	21m <sup>3</sup> /hr	2.5BAR
36"	930	1060	400	230	2"	32m <sup>3</sup> /hr	2.5BAR



# OC-1 Filtration Media

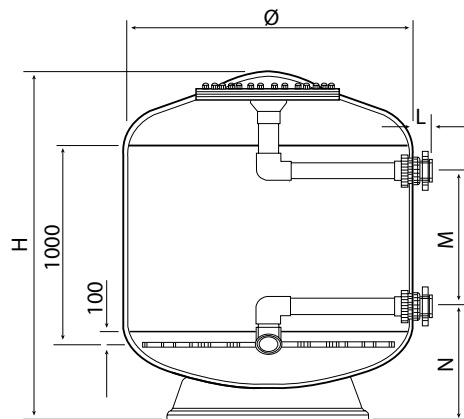
*"I am amazed at just how efficiently it does work and the results it achieves. I think it justifies the title of a revolutionary product."*

Commercial Pool Specialist, UK



## OC-1 Commercial Filters

			Price
V	SLX1050-OC1	1050mm diameter - 75mm connections	£3225.00
V	SLX1050-OC1/40	1050mm diameter - 90mm connections	£3275.00
V	SLX1200-OC1	1200mm diameter - 75mm connections	£3795.00
V	SLX1200-OC1/50	1200mm diameter - 90mm connections	£3847.00
V	SLX1400-OC1	1400mm diameter - 90mm connections	£4930.00
V	SLX1400-OC1/50	1400mm diameter - 110mm connections	£4990.00
V	SLX1600-OC1	1600mm diameter - 110mm connections	£5770.00
V	SLX1600-OC1/50	1600mm diameter - 125mm connections	£5930.00
V	SLX1800-OC1	1800mm diameter - 110mm connections	£6658.00
V	SLX1800-OC1/40	1800mm diameter - 125mm connections	£6810.00
V	SLX2000-OC1	2000mm diameter - 125mm connections	£8785.00
V	SLX2000-OC1/40	2000mm diameter - 140mm connections	£8995.00



## Dimensions for SLX Filters

g	SLX1050-OC1	SLX1200-OC1	SLX1400-OC1	SLX1600-OC1	SLX1800-OC1	SLX2000-OC1
Vol (Lts)	800	1050	1300	1800	2250	3050
H (mm)	1640	1780	1755	1835	1875	2040
M (mm)	645	640	610	515	465	510
N (mm)	540	570	585	680	720	790
P (mm)	755	940	1085	1230	1370	1550
Weight inc media	264kg	344kg	409kg	550kg	675kg	844kg



# Filter Media

## Filter Media

		Price
<b>A</b>	<b>FM1630/25</b> Sand - per 25kg	<b>£19.50</b>
<b>E</b>	<b>DE-20</b> Diatomaceous earth - per 20kg	<b>£78.75</b>
<b>A</b>	<b>FM6816/25</b> Pea gravel - per 25kg	<b>£17.50</b>
<b>D</b>	<b>ZC30</b> Zeoclere 30 filter media -per 20kg	<b>£43.00</b>

Zeoclere - filter medium that gives years of service along with water clarity 60% better than sand. Ideal for Leisure centres, school, hydrotherapy, hotel pools and spas. Removes ammonia, heavy metals from pool water. Has achieved NSF61 -NSF50 - NSF50ii certification.



## OC-1 Filtration Media

		Price
<b>V</b>	<b>OC-1/50</b> 50 Litres OC-1 Filtration Media	<b>£63.00</b>

See Page 73 & 76 for full details

**Certikin Glass Filter Media** is the environmentally friendly filter media and a viable alternative to sand; made from glass recycled in the UK, it doesn't involve intrusive mining and the use of scarce resources.

Made from recycled glass in the UK



Grade 1 - equivalent to 16/30 grade sand

## Certikin Glass Media - Grade 1 - 25kg Bag

		Price
<b>D</b>	<b>FMEG1/25</b> Grade 1 Glass Media - 25kg Bag	<b>£19.90</b>

## Certikin Glass Media - Grade 2 - 25kg Bag

		Price
<b>D</b>	<b>FMEG2/25</b> Grade 2 Glass Media - 25kg Bag	<b>£19.40</b>

## Certikin Glass Media - Grade 3 - 25kg Bag

		Price
<b>D</b>	<b>FMEG3/25</b> Grade 3 Glass Media - 25kg Bag	<b>£19.40</b>



FM1630/25



FM6816/25



DE-20



ZC30



Extra carriage charge on all filter media. Please call Certikin for a quotation.

Maximum of 40 x 25kg bags of Filter Media can be loaded onto each pallet for delivery.



Made from recycled glass in the UK

Grade 2 - equivalent to 8/16 grade sand



Made from recycled glass in the UK

Grade 3 - equivalent to 6mm gravel

## Key Benefits:

- It is more efficient. It can remove up to 30% more material and pollutants than sand, so saving on backwashing and the resultant water, energy and chemical treatment costs
- It requires less material. It's less dense than sand, requiring 15% less media to fill the equivalent filter
- It doesn't degrade. It therefore has a longer life span
- It is suitable for both commercial and residential filters with laterals or nozzle plates.
- It is available in three grades of media Grade 1, Grade 2 and Grade 3. All grades are milled down to remove sharp points and Packed in 25kg bags.



# Alpine Deep Laminated Filter



A range of laminated polyester filters with 1.0 and 1.2 (Alpine Plus) metre media bed depth.

Available with lateral under drain system or nozzle plate option.

The Alpine Plus is an ideal solution for refurbishments, light commercial pools, hydro-therapy pools and commercial spas. They have improved filtration due to the deeper media bed enabling longer contact with the water.

#### Standard Features

- Bolt down lid
- Ø200mm sand service hatch (Ø400mm available on 1050 and 1200 models)
- Manual air and water purge
- Top mounted pressure gauge
- Internal pipework is supported to provide stability during operation
- Reinforced base for extra strength under loading
- Multiport valve included (1050 & 1200 model is valve only)

#### Technical Data

1.0 metre media bed depth (Alpine)  
 2.5 bar max operating pressure  
 3.75 bar max test pressure  
 50°C max working temperature

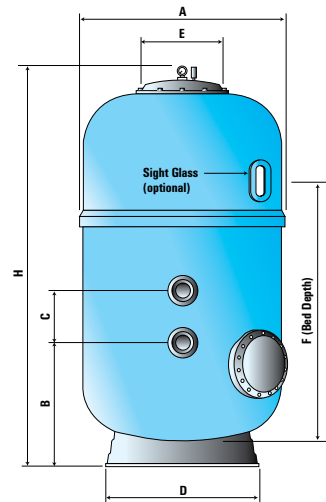
#### Options

- Sight glass
- Ø400mm service hatch on 1050 & 1200 models
- For ozone treatment, filters with an internal vinylester coating are required. Price on application.
- 4 BAR

**Multiport valve / face pipework** must be supported with Unistrut / pipe supports.



**OC-1 versions available.**  
 Please contact Commercial for more details



#### Alpine Filter With Laterals - C/W Multiport Valve

		Price
K	ZZFAHS650L 650 Ø mm, 1.5" Connections	£1788.00
K	ZZFAHS800L 800 Ø mm, 2" Connections	£2168.00
K	ZZFAHS950L 950 Ø mm, 2.5" Connections	£2672.00
K	ZZFAHS1050L 1050 Ø mm, 3" Connections	£4660.00
K	ZZFAHS1200L 1200 Ø mm, 3" Connections	£5290.00

#### Alpine Filter With Nozzle Plate - C/W Multiport Valve

		Price
K	ZZFAHS650N 650 Ø mm, 1.5" Connections	£2562.00
K	ZZFAHS800N 800 Ø mm, 2" Connections	£2938.00
K	ZZFAHS950N 950 Ø mm, 2.5" Connections	£3163.00
K	ZZFAHS1050N 1050 Ø mm, 3" Connections	£5620.00
K	ZZFAHS1200N 1200 Ø mm, 3" Connections	£6285.00

#### Options For Alpine

		Price
K	FAHDEV Double effect air relief valve (1050 & 1200 models only)	£112.00
K	FAHSG Sight glass	£234.00
K	FAH400 Ø 400mm service hatch (1050 & 1200 models only)	£1560.00

Dia mm	Conns	Filter Area m <sup>2</sup>	Output m <sup>3</sup> /hr @ 45m <sup>3</sup> /m <sup>2</sup> /hr
650	1.5"	0.33	15
800	2"	0.50	23
950	2.5"	0.70	32
1050	3.0"	0.86	39
1200	3.0"	1.13	50



**Extra carriage charge applies.**  
 Please call for a quotation.

#### Dimensions - Alpine Deep Laminated Filter

Code	A mm	B mm	C mm	D mm	E mm	F mm	H mm	(kg)		Gravel 6mm kg		
								Weight	Sand			
FAHS650L	680	720	125	490	200	1000	1705	85	380	100		
FAHS650N										50		
FAHS800L										165		
FAHS800N	825	685	230	625			1750	115	530	70	260	
FAHS950L												100
FAHS950N												320
FAHS1050L	1090	630	270	775	400	1895	180	1015	120			
FAHS1050N											410	
FAHS1200L											160	
FAHS1200N	1255	665	270	940			1970	210	1360			

# Alpine Plus Deep Filters Laminated Polyester



## Alpine Plus Filter With Laterals

			Price
K	FAHL650L	650 Ø mm, 1.5" Conn, 0.33 filter area (M <sup>2</sup> )	£1955.00
K	FAHL800L	800 Ø mm, 2" Conn, 0.50 filter area (M <sup>2</sup> )	£2443.00
K	FAHL950L	950 Ø mm, 2.5" Conn, 0.70 filter area (M <sup>2</sup> )	£3258.00
K	FAHL1050L	1050 Ø mm, 3" Conn, 0.86 filter area (M <sup>2</sup> )	£4742.00
K	FAHL1200L	1200 Ø mm, 3" Conn, 1.13 filter area (M <sup>2</sup> )	£5374.00

## Alpine Plus Filter With Nozzle Plate

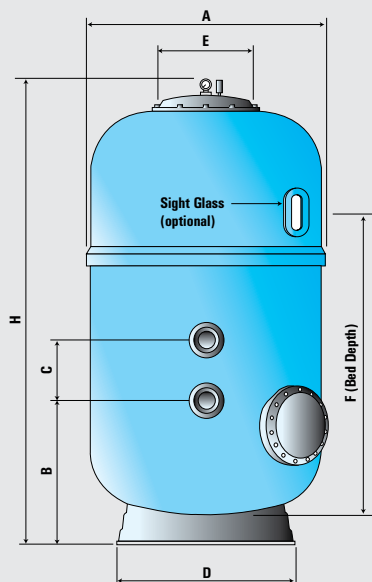
			Price
K	FAHL650N	650 Ø mm, 1.5" Conn, 0.33 filter area (M <sup>2</sup> )	£2882.00
K	FAHL800N	800 Ø mm, 2" Conn, 0.50 filter area (M <sup>2</sup> )	£4075.00
K	FAHL950N	950 Ø mm, 2.5" Conn, 0.70 filter area (M <sup>2</sup> )	£5032.00
K	FAHL1050N	1050 Ø mm, 3" Conn, 0.86 filter area (M <sup>2</sup> )	£7040.00
K	FAHL1200N	1200 Ø mm, 3" Conn, 1.13 filter area (M <sup>2</sup> )	£8345.00

## Multiport Valves & Mounting Kit

		Price
C	MPV15MAX	1.5" multiport valve C/W connections £89.00
C	MPV20MAX	2" multiport valve C/W connections £144.00
C	MPV25MAX	2.5" multiport valve C/W connections £378.00
C	MPV30MAX	3" multiport valve only £598.00
C	ZZALPMOUNT	3" MPV Mounting Kit £140.00

## Options For Alpine Plus

		Price
K	FAHDEV	Double effect air relief valve (1050 & 1200 models only) £112.00
K	FAHSG	Sight glass £234.00
K	FAH400	Ø 400mm service hatch (1050 & 1200 models only) £1560.00



## Standard Features

- Bolt down lid
- Ø200mm sand service hatch (Ø400mm available on 1050 and 1200 models)
- Manual air and water purge
- Top mounted pressure gauge
- Internal pipework is supported to provide stability during operation
- Reinforced base for extra strength under loading
- Multiport valve included (1050 & 1200 model is valve only)

## Technical Data

1.2 metre media bed depth  
2.5 bar max operating pressure  
3.75 bar max test pressure  
50°C max working temperature

## Options

- Sight glass
- Ø400mm service hatch on 1050 & 1200 models
- For ozone treatment, filters with an internal vinylester coating are required. Price on application.
- 4 BAR

**Multiport valve / face pipework must be supported with Unistrut / pipe supports.**



Dia mm	Conns	Filter Area m <sup>2</sup>	Output m <sup>3</sup> /hr @ 45m <sup>3</sup> /m <sup>2</sup> /hr
650	1.5"	0.33	15
800	2"	0.50	23
950	2.5"	0.70	32
1050	3.0"	0.86	39
1200	3.0"	1.13	50

## Dimensions - Alpine Plus Deep Laminated Filter

Code	A mm	B mm	C mm	D mm	E mm	F mm	H mm	(kg)		Gravel 6mm kg
								Weight	Sand	
FAHS650L	680	720	125	490	200	1200	1900	105	470	100
FAHS650N								50	165	
FAHS800L	825	685	230	625	200	1200	1950	135	660	70
FAHS800N								70	260	
FAHS950L	970	685	270	705	200	1200	1960	160	1015	100
FAHS950N								120	320	
FAHS1050L	1090	630	270	775	200	1200	2095	200	1240	120
FAHS1050N								120	410	
FAHS1200L	1255	665	270	940	200	1200	2170	230	1665	160
FAHS1200N								160		



Extra carriage charge applies. Please call for a quotation.



OC-1 versions available. Please contact Commercial for more details

# Lacron LCX / LCP Commercial Sand Filter



Model shown with sand service hatch and sight glass included as standard

- 550mm x 430mm sand service hatch
- Sight glass
- Lateral underdrain system
- Automatic and Manual Air Vent
- Operating pressure 2.5 BAR (others available)
- Test pressure 4.0 BAR
- Imperial connections available on request
- Hatch has twin locking bars that gives 100% vacuum seal

Manufactured from laminated polyester, robust and hard wearing. They are available with either metric or imperial connections for your convenience and have a standard **5 year warranty**.

#### Nozzle plate option available

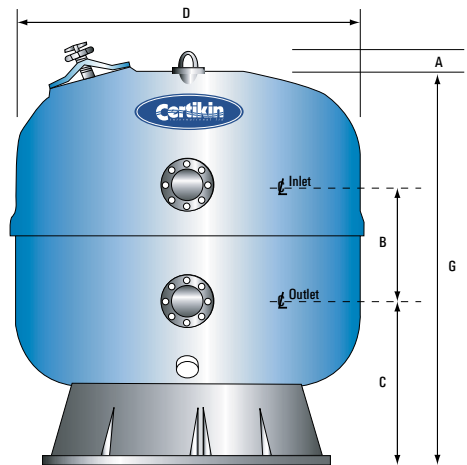
All LCX filters are able to accept flow velocities up to a maximum of 50m<sup>3</sup>/m<sup>2</sup>/hr.

#### Lacron LCX Commercial Filters - 1.2 metre bed depth

		Price
K	SLC1200/D 1.23m filter, 1200mm depth, 90mm Conns	£7313.00
K	SLC1400/D 1.43m filter, 1200mm depth, 110mm Conns	£8925.00
K	SLC1600/D 1.63m filter, 1200mm depth, 110mm Conns	£10,724.00
K	SLC1850/D 1.88m filter, 1200mm depth, 160mm Conns	£14,245.00
K	SLC2000/D 2.03m filter, 1200mm depth, 160mm Conns	£17,072.00
K	SLC2350/D 2.35m filter, 1200mm depth, 160mm Conns	£20,744.00

#### Accessories

		Price
K	SPX006 Pressure gauge panel	£274.00



Filter only - excludes valve, battery pipework and pressure gauge panel

#### Dimensions in mm

	A	B	C	D	E	G	Gravel kg	Sand kg
SLC1200/D	150	700	749	1230	1045	2000	300	1675
SLC1400/D	150	700	814	1430	1202	2000	500	2300
SLC1600/D	150	700	829	1630	1202	2100	750	3000
SLC1850/D	150	700	789	1880	1755	2100	850	3800
SLC2000/D	150	700	789	2030	1755	2150	1150	4600
SLC2350/D	150	600	789	2350	2057	2150	2600	6300



Extra carriage charge the LCX and LCP range of filters.

Please call Certikin Commercial Department for a quotation.

# SLX PLUS Bobbin Wound Commercial Filter



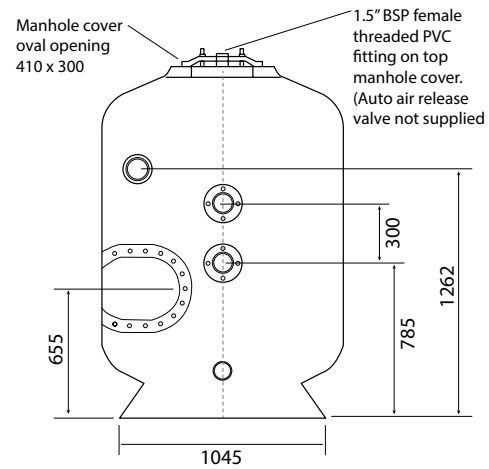
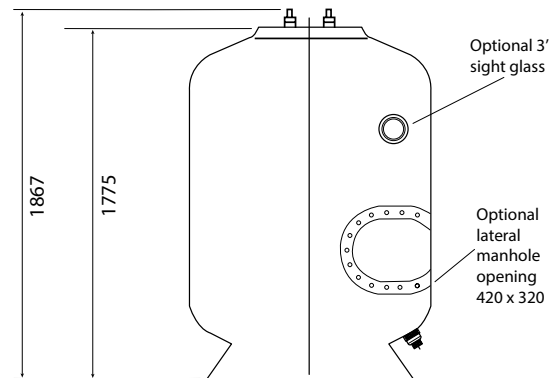
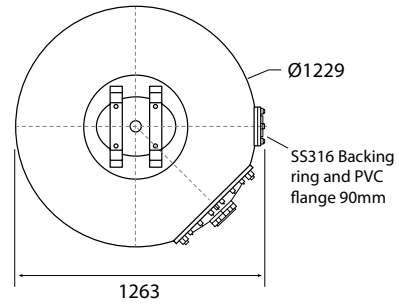
## Features

- 2.5 BAR standard with 3.75 BAR Test Pressure
- 4.0 BAR / 6.0 BAR available
- Nozzle plate available
- Complete with 3" sight glass
- Complete with side manhole
- Flange connections
- 1.5" BSP fitting for Air Relief Valve
- Drain port
- 1 metre bed depth
- Integral underdrains
- Vinylester option available
- Flange connection ports as standard
- Excludes pressure gauge panel and air relief valve

## SLX PLUS Bobbin Wound Commercial Filters

			Price
K	SLXPLUS1050	1050mm Diameter Filter/75mm connections	£4719.00
K	SLXPLUS1200	1200mm Diameter Filter/90mm connections	£5098.00
K	SLXPLUS1400	1400mm Diameter Filter/110mm connections	£5636.00
K	SLXPLUS1600	1600mm Diameter Filter/110mm connections	£7428.00
K	SLXPLUS1800	1800mm Diameter Filter/125mm connections	£8858.00
K	SLXPLUS2000	2000mm Diameter Filter/140mm connections	£11,015.00
K	SLXPLUS2350	2350mm Diameter Filter/160mm connections	£16,228.00

Code	Weight kg	Sand kg	Gravel kg	Area M <sup>2</sup>	Max Flow Rate @ 25m <sup>3</sup> /m <sup>2</sup> /hr	Max Flow Rate @ 40m <sup>3</sup> /m <sup>2</sup> /hr
SLXPLUS1050	155	1050	300	0.86	21.50m <sup>3</sup> /hr	34.40m <sup>3</sup> /hr
SLXPLUS1200	190	1350	350	1.13	28.25m <sup>3</sup> /hr	45.20m <sup>3</sup> /hr
SLXPLUS1400	210	1875	500	1.54	38.50m <sup>3</sup> /hr	61.60m <sup>3</sup> /hr
SLXPLUS1600	270	2225	750	2.01	50.25m <sup>3</sup> /hr	80.40m <sup>3</sup> /hr
SLXPLUS1800	305	2700	750	2.54	63.30m <sup>3</sup> /hr	101.60m <sup>3</sup> /hr
SLXPLUS2000	330	3825	1200	3.14	78.50m <sup>3</sup> /hr	125.60m <sup>3</sup> /hr
SLXPLUS2350	505	5250	2000	4.34	108.30m <sup>3</sup> /hr	173.60m <sup>3</sup> /hr



Code	Dimensions in mm						
	A	B	C	D	E	F	G
SLXPLUS1050	770	300	1345	674	1775	1876	1140
SLXPLUS1200	785	300	1262	655	1775	1880	1263
SLXPLUS1400	750	400	1391	600	1800	1901	1463
SLXPLUS1600	795	400	1350	631	1839	1939	1720
SLXPLUS1800	835	400	1357	660	1830	1931	1940
SLXPLUS2000	920	400	1336	655	1958	2060	2140
SLXPLUS2350	1085	400	1717	775	2330	2445	2480



Extra carriage charge applies to the SLX Plus filters.

Please call Certikin Commercial Department for a quotation.

# SLX Lateral Bobbin Wound Commercial Filters



Picture shows sand service hatch and sight glass options.

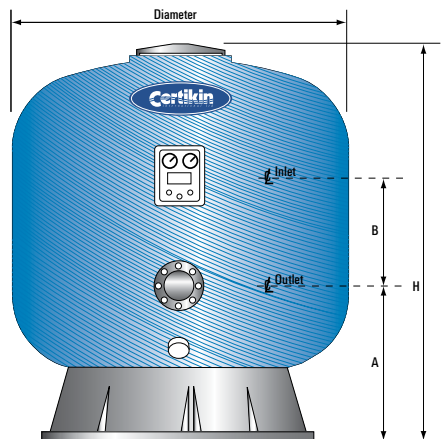
## SLX Filter

- The SLX filter is manufactured from bobbin wound fibreglass and polyester resin; the distribution and collection system from PVC/polypropylene.
- Gauges are supplied with all SLX filters.
- All prices exclude filter media
- Filtration Rate up to 11m<sup>3</sup>/m<sup>2</sup>/hr is available POA
- Media sight glass and sand service hatch are available as optional extras.
- 1.0m or 1.2m bed depth available
- Ø50mm laterals or plate and nozzle underdrain system available

Differential pressure gauge and double effect air vent supplied with all SLX filters

## Technical Information

- Working Pressure: **2.5 bar / 4.0 bar (to order)**
- Test Pressure: **1.5 x working pressure**
- Max Temp: **50°C**
- Bolt down lid



Extra carriage charge applies to the SLX filters.

Please call Certikin Commercial Department for a quotation.

## Filtration Rate 11-30m<sup>3</sup>/m<sup>2</sup>/hr - Lateral 1.0M Bed Depth

	Ø mm	Conn mm	Flow m <sup>3</sup> /hr	Price - 2.5 bar	Price - 4 bar
K SLX1050-30MX	1050	75	25	£3740.00	£5565.00
K SLX1200-30MX	1200	75	33	£4210.00	£5975.00
K SLX1400-30MX	1400	90	46	£5260.00	£7435.00
K SLX1600-30MX	1600	110	60	£5970.00	£8840.00
K SLX1800-30MX	1800	110	76	£7173.00	£9540.00
K SLX2000-30MX	2000	125	94	£7975.00	£11,280.00
K SLX2350-30MX	2350	140	130	£12,530.00	£15,390.00
K SLX2500-30MX	2500	160	150	£14,400.00	POA
K SLX3000-30MX	3000	200	212	POA	POA

## Filtration Rate 30-40m<sup>3</sup>/m<sup>2</sup>/hr - Lateral 1.0M Bed Depth

	Ø mm	Conn mm	Flow m <sup>3</sup> /hr	Price - 2.5 bar	Price - 4 bar
K SLX1050-40MX	1050	75	34	£3740.00	£5565.00
K SLX1200-40MX	1200	90	45	£4210.00	£5975.00
K SLX1400-40MX	1400	110	61	£5260.00	£7435.00
K SLX1600-40MX	1600	110	80	£5970.00	£8840.00
K SLX1800-40MX	1800	125	101	£7173.00	£9540.00
K SLX2000-40MX	2000	140	125	£7975.00	£11,280.00
K SLX2350-40MX	2350	160	175	£12,530.00	£15,385.00
K SLX2500-40MX	2500	200	200	£14,400.00	POA
K SLX3000-40MX	3000	225	282	POA	POA

## Filtration Rate 40-50m<sup>3</sup>/m<sup>2</sup>/hr - Lateral 1.0M Bed Depth

	Ø mm	Conn mm	Flow m <sup>3</sup> /hr	Price - 2.5 bar	Price - 4 bar
K SLX1050-50MX	1050	90	43	£3940.00	£6135.00
K SLX1200-50MX	1200	90	56	£4690.00	£6500.00
K SLX1400-50MX	1400	110	77	£5810.00	£8060.00
K SLX1600-50MX	1600	125	100	£6760.00	£9340.00
K SLX1800-50MX	1800	140	127	£7770.00	£10,470.00
K SLX2000-50MX	2000	160	157	£8810.00	£11,700.00
K SLX2350-50MX	2350	200	217	£13,410.00	£16,230.00
K SLX2500-50MX	2500	225	245	£16,160.00	POA
K SLX3000-50MX	3000	250	353	POA	POA

## Options For SLX Filter

		Price
K SLXSG	SLX filter media sight glass Ø110mm	£426.50
K SLXSH-400	SLX filter service hatch Ø400mm (not available for 1050 or 1200Ø filters)	£2150.00
K SLXSH-500	SLX filter service hatch Ø500mm (not available for 1050 or 1200Ø filters)	POA

## Dimensions - SLX Filter With 1m Bed Depth

Filter Ref / Ø	A mm	B mm	H mm	W kg	Sand kg	Gravel 6mm kg	Area m <sup>2</sup>
SLX1050	770	300	1725	120	1050	300	0.86
SLX1200	785	300	1762	155	1350	350	1.13
SLX1400	750	400	1782	175	1875	500	1.54
SLX1600	795	400	1836	235	2225	750	2.01
SLX1800	835	400	1878	270	2700	750	2.54
SLX2000	920	400	2063	295	3825	1200	3.14
SLX2350	1085	400	2372	530	5250	2000	4.34
SLX2500	1115	400	2425	700	5925	2300	4.90
SLX3000	1360	450	2832	900	8550	3300	7.07

W = shipping weight

# SLX Nozzle Plate Bobbin Wound Commercial Filters



Extra carriage charge applies to the SLX filters.  
Please call Certikin Commercial Department for a quotation.

Filtration Rate 11-30m<sup>3</sup>/m<sup>2</sup>/hr - Nozzle Plate 1.2M Bed Depth

	Ø mm	Conn mm	Flow m <sup>3</sup> /hr	Price - 2.5 bar	Price - 4 bar
K SLX1050-30MXN	1050	75	25	£7865.00	£9050.00
K SLX1200-30MXN	1200	75	33	£8165.00	£9440.00
K SLX1400-30MXN	1400	90	46	£9670.00	£10,920.00
K SLX1600-30MXN	1600	110	60	£12,685.00	£14,980.00
K SLX1800-30MXN	1800	110	76	£13,100.00	£16,430.00
K SLX2000-30MXN	2000	125	94	£15,810.00	£19,760.00
K SLX2350-30MXN	2350	140	130	£20,120.00	£24,280.00
K SLX2500-30MXN	2500	160	150	POA	POA
K SLX3000-30MXN	3000	200	212	POA	POA

Filtration Rate 30-40m<sup>3</sup>/m<sup>2</sup>/hr - Nozzle Plate 1.2M Bed Depth

	Ø mm	Conn mm	Flow m <sup>3</sup> /hr	Price - 2.5 bar	Price - 4 bar
K SLX1050-40MXN	1050	75	34	£7865.00	£9050.00
K SLX1200-40MXN	1200	90	45	£8165.00	£9440.00
K SLX1400-40MXN	1400	110	61	£9670.00	£10,920.00
K SLX1600-40MXN	1600	110	80	£12,685.00	£14,980.00
K SLX1800-40MXN	1800	125	101	£13,100.00	£16,430.00
K SLX2000-40MXN	2000	140	125	£15,810.00	£19,760.00
K SLX2350-40MXN	2350	160	175	£20,120.00	£24,280.00
K SLX2500-40MXN	2500	200	200	POA	POA
K SLX3000-40MXN	3000	225	282	POA	POA

Filtration Rate 40-50m<sup>3</sup>/m<sup>2</sup>/hr - Nozzle Plate 1.2M Bed Depth

	Ø mm	Conn mm	Flow m <sup>3</sup> /hr	Price - 2.5 bar	Price - 4 bar
K SLX1050-50MXN	1050	90	43	£8450.00	£9150.00
K SLX1200-50MXN	1200	90	56	£8880.00	£9980.00
K SLX1400-50MXN	1400	110	77	£9880.00	£11,440.00
K SLX1600-50MXN	1600	125	100	£13,940.00	£15,290.00
K SLX1800-50MXN	1800	140	127	£14,580.00	£17,500.00
K SLX2000-50MXN	2000	160	157	£17,160.00	£21,000.00
K SLX2350-50MXN	2350	200	217	£22,950.00	£25,500.00
K SLX2500-50MXN	2500	225	245	POA	POA
K SLX3000-50MXN	3000	250	353	POA	POA

Options For SLX Filter

		Price
K SLXSG	SLX filter media sight glass Ø110mm	£426.50
K SLXSH-400	SLX filter service hatch Ø400mm (not available for 1050 or 1200Ø filters)	£2150.00
K SLXSH-500	SLX filter service hatch Ø500mm (not available for 1050 or 1200Ø filters)	POA
K SLXAS	SLX filter air scour port - 90mm	£250.00



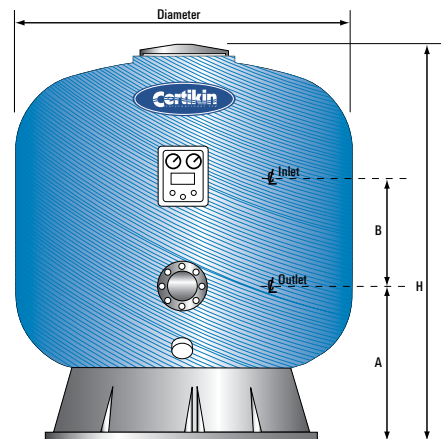
## SLX Filter

- The SLX filter is manufactured from bobbin wound fibreglass and polyester resin; the distribution and collection system from PVC/polypropylene.
- Gauges are supplied with all SLX filters.
- All prices exclude filter media
- Filtration Rate up to 11m<sup>3</sup>/m<sup>2</sup>/hr is available POA
- Media sight glass and sand service hatch are available as optional extras.
- 1.0m or 1.2m bed depth available
- Ø50mm laterals or plate and nozzle underdrain system available

Differential pressure gauge and double effect air vent supplied with all SLX filters

## Technical Information

- Working Pressure: **2.5 bar / 4.0 bar (to order)**
- Test Pressure: **1.5 x working pressure**
- Max Temp: **50°C**
- Bolt down lid



Dimensions - SLX Filter With 1.2m Bed Depth

Filter Ref / Ø	A mm	B mm	H mm	W kg	Sand kg	Gravel 6mm kg	Area m <sup>2</sup>
SLX1050	925	300	2035	290	1225	250	0.86
SLX1200	950	300	2092	320	1575	325	1.13
SLX1400	960	400	2202	410	2150	425	1.54
SLX1600	1050	400	2306	500	2825	575	2.01
SLX1800	1060	400	2328	590	3550	700	2.54
SLX2000	1110	400	2443	690	4400	875	3.14
SLX2350	1185	400	2572	930	6075	1225	4.34
SLX2500	1300	400	2731	1000	6875	1375	4.90
SLX3000	1410	450	2924	1100	9900	1975	7.07

W = shipping weight



# Split Tank Filters & TLX Mild Steel Filters

## Commercial Split Tank

Ideal for retrofitting as the filter is delivered in two parts and assembled on site in the plant room. The two halves seal perfectly, using a double 'O' ring and are held together by a flange using nuts and bolts.

The filter is specifically designed to fit through existing standard size plant room doors.

### Features

- Unique split tank design
- Lateral underdrains
- 2.5 BAR operating pressure
- Flow rates up to 40m<sup>3</sup>/m<sup>2</sup>/hr
- Flange connections



Extra carriage charge applies to the Commercial Split Tank filters.

Please call Certikin Commercial Department for a quotation.



Designed from experience working in the industrial water treatment sector, TLX filters are recognised for their strength, high resistance to corrosion and design flexibility. Typical uses include municipal swimming pool filtration, commercial fish farming, water process industries, chemical treatment plants.

Bespoke filters can be produced to suit specifications including varying bed depths, steel plate thickness and port positions.



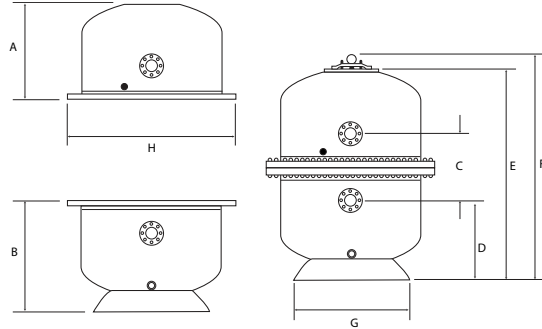
Items that are made to measure, bespoke are non-returnable items.



Extra carriage charge applies to the TLX filters. Please call Certikin Commercial Department on 01993 778855.

## Commercial Split Tank - 1000mm / 39.4" Bed Depth

	Vghe Size	Inner Dia		Filter Area		Price
<b>K SMDT1200</b>	3	1200mm	47.3"	1.13 m <sup>2</sup>	12.18'	<b>£10,107.00</b>
<b>K SMDT1400</b>	4	1400mm	55.2"	1.54 m <sup>2</sup>	16.58'	<b>£11,064.00</b>
<b>K SMDT1600</b>	4	1600mm	63.0"	2.01 m <sup>2</sup>	21.66'	<b>£12,200.00</b>
<b>K SMDT1800</b>	6	1800mm	70.9"	2.54 m <sup>2</sup>	27.41'	<b>£17,711.00</b>



### Dimensions - Commercial Split Tank

Code	A	B	C	D	E	F	G	H	Filtration Flow Rates m <sup>3</sup> /hr/m <sup>2</sup>			
									30m <sup>3</sup>	36m <sup>3</sup>	40m <sup>3</sup>	50m <sup>3</sup>
<b>SMDT1200</b>	1010	1095	700	749	2088	2245	1045	1521	34	41	45	57
<b>SMDT1400</b>	1008	1165	700	814	2170	2330	1200	1737	46	55	62	77
<b>SMDT1600</b>	995	1130	700	829	2130	2285	1200	1943	60	72	80	101
<b>SMDT1800</b>	1105	100	700	789	2188	2355	1760	2105	76	92	102	127

## TLX Steel Filters - Available Sizes

	Diameter	Flanges	Max Flow M3/hr	Price
<b>K TLX1250-30</b>	1250mm	90mm	36	<b>POA</b>
<b>K TLX1400-30</b>	1400mm	90mm	46	<b>POA</b>
<b>K TLX1600-30</b>	1600mm	110mm	60	<b>POA</b>
<b>K TLX1800-30</b>	1800mm	140mm	76	<b>POA</b>
<b>K TLX2000-30</b>	2000mm	140mm	90	<b>POA</b>
<b>K TLX2200-30</b>	2200mm	160mm	114	<b>POA</b>
<b>K TLX2400-30</b>	2400mm	160mm	135	<b>POA</b>
<b>K TLX2500-30</b>	2500mm	160mm	150	<b>POA</b>
<b>K TLX2800-30</b>	2800mm	225mm	184	<b>POA</b>
<b>K TLX3000-30</b>	3000mm	225mm	212	<b>POA</b>

### Standard Features - TLX

- Top & side manhole access.
- BS4504 PN10/16 flanges.
- Internal protective epoxy coating.
- Primed and painted exterior finish.
- Integral lifting eyes.
- 2.5 bar max. working pressure.
- 4.0 bar test pressure.
- Filtration rate 30 m<sup>3</sup>/m<sup>2</sup>/hr

### Options

- Nozzle Plate or Lateral arms under drain system.
- Sight glass.
- Rubber linings for ozone treatment.
- Alternative pressure ratings.



SLX1.5ARV



SPX006

### Accessories

		Price
<b>K SPX006</b>	Filter pressure gauge panel 0-4bar	<b>£274.00</b>
<b>K SLX1.5ARV</b>	Auto air relief valve 1.5" BSP connections	<b>£195.00</b>



# HLX Bobbin Wound Horizontal Commercial Filters



## Standard Features - HLX

- Polyester shell lining
- Polypropylene arm collectors
- PVC distribution pipework
- Ø400mm bolted top access hatch
- Ø400mm bolted side access
- Automatic air relief valve
- Sand and water drain port
- Flanged inlet and outlet connections
- Pressure gauge panel

## HLX Filter - Ø2.0m Horizontal Bobbin Wound - 1.0m Bed Depth

	Length mm	Conn mm	Flow M3/hr	Filtration	Price
K HLX2500110	2500	110	75	15 m <sup>3</sup> /h/m <sup>2</sup>	£20,100.00
K HLX3000125	3000	125	80	15 m <sup>3</sup> /h/m <sup>2</sup>	£21,740.00
K HLX3500140	3500	140	105	15 m <sup>3</sup> /h/m <sup>2</sup>	£22,780.00
K HLX2500125	2500	125	100	20 m <sup>3</sup> /h/m <sup>2</sup>	£20,400.00
K HLX3000140	3000	140	120	20 m <sup>3</sup> /h/m <sup>2</sup>	£21,950.00
K HLX3500160	3500	160	140	20 m <sup>3</sup> /h/m <sup>2</sup>	£23,250.00
K HLX2500160	2500	160	150	30 m <sup>3</sup> /h/m <sup>2</sup>	£20,500.00
K HLX3000160	3000	160	180	30 m <sup>3</sup> /h/m <sup>2</sup>	£22,180.00
K HLX3500200	3500	200	210	30 m <sup>3</sup> /h/m <sup>2</sup>	£23,750.00
K HLX2500200	2500	200	200	40 m <sup>3</sup> /h/m <sup>2</sup>	£21,280.00
K HLX3000200	3000	200	240	40 m <sup>3</sup> /h/m <sup>2</sup>	£23,620.00
K HLX3500225	3500	225	280	40 m <sup>3</sup> /h/m <sup>2</sup>	£24,350.00
K HLX3000225	3000	225	300	50 m <sup>3</sup> /h/m <sup>2</sup>	£23,750.00

The HLX range is manufactured with a liner employing special resins which form a watertight, anti-corrosive barrier, giving a high resistance to chemicals. Also suitable for salt water pools.

An outer fibre-glass shell is then applied to the liner, using the bobbin winding process: this gives the finished tank its final working and test ratings.

The standard filter is manufactured with a polyester shell. For ozone systems a vinylester shell is available upon request.

Includes pressure gauge panel.

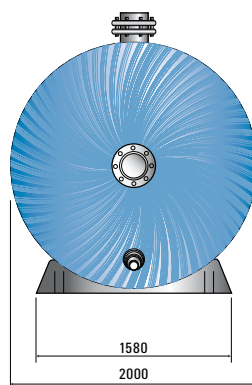
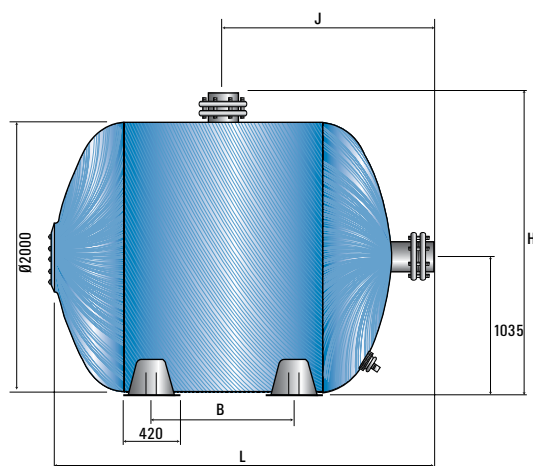
**Working pressure:** 2.5kg/cm<sup>2</sup> / 35.56 psi / 2.45 bar

**Test pressure:** 3.75kg/cm<sup>2</sup> / 53.3 psi / 3.68 bar

**Special working pressure:** 4kg / cm<sup>2</sup> working pressure

**Maximum temperature:** 50°C

**Available Options:** Bed depths 0.6 metre, 1 metre and 1.2 metre.



	B mm	H mm	J mm	L mm
HLX2500110	1062	2176	1446	2700
HLX3000125	1000	2192	1720	3228
HLX3500140	2000	2203	1979	3740
HLX2500125	1062	2193	1470	2727
HLX3000140	1000	2203	1732	3240
HLX3500160	2000	2222	2010	3770
HLX2500160	1062	2222	1513	2770
HLX3000160	1000	2222	1763	3270
HLX3500200	2000	2266	2075	3835
HLX2500200	1062	2266	1578	2835
HLX3000200	1000	2266	1828	3335
HLX3500225	2000	2293	1867	3875
HLX3000225	1000	2293	1867	3375

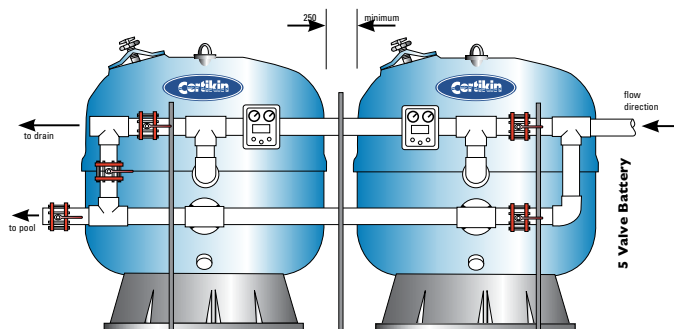


Items that are made to measure, bespoke are non-returnable items.



Extra carriage charge applies to the HLX filters. Please call Certikin Commercial Department for a quotation.

# Valve Batteries - Manual



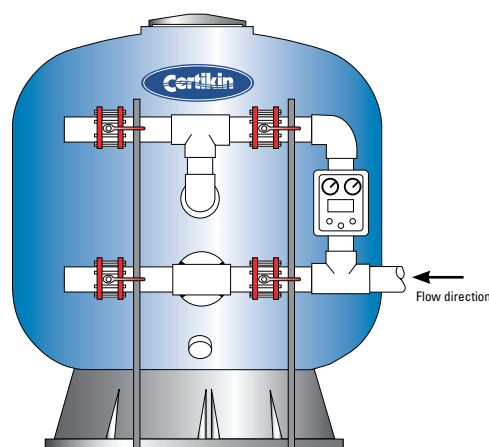
Double Filter 5 Valve Battery

## Double Filter 5 Valve Battery Sets

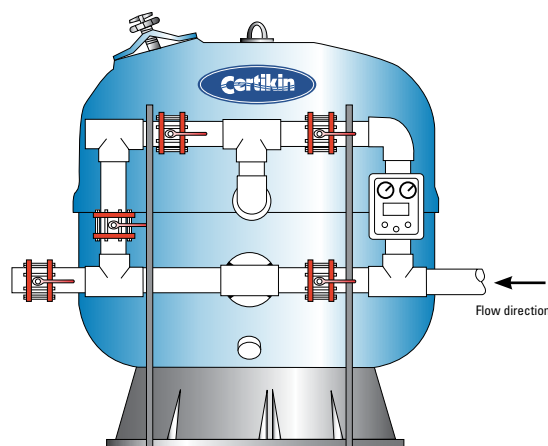
			Price
K	SLX075/090-5	90mm valve battery, 75mm connection	£1670.00
K	SLX075/110-5	110mm valve battery, 75mm connection	£2005.00
K	SLX090/125-5	125mm valve battery, 90mm connection	£2440.00
K	SLX090/140-5	140mm valve battery, 90mm connection	£2940.00
K	SLX110/140-5	140mm valve battery, 110mm connection	£2998.00
K	SLX110/160-5	160mm valve battery, 110mm connection	£3765.00
K	SLX125/160-5	160mm valve battery, 125mm connection	£3880.00
K	SLX125/200-5	200mm valve battery, 125mm connection	£5730.00
K	SLX140/200-5	200mm valve battery, 140mm connection	£5750.00
K	SLX140/225-5	225mm valve battery, 140mm connection	£7300.00
K	SLX160/225-5	225mm valve battery, 160mm connection	£7440.00
K	SLX160/250-5	250mm valve battery, 160mm connection	POA
K	SLX200/250-5	250mm valve battery, 200mm connection	POA

## Single Filter 4 & 5 Valve Battery Sets

			Price
K	SLX075-4	4 valve battery 75mm connections	£945.00
K	SLX075-5	5 valve battery 75mm connections	£1118.00
K	SLX090-4	4 valve battery 90mm connections	£1210.00
K	SLX090-5	5 valve battery 90mm connections	£1470.00
K	SLX110-4	4 valve battery 110mm connections	£1450.00
K	SLX110-5	5 valve battery 110mm connections	£1755.00
K	SLX125-4	4 valve battery 125mm connections	£1675.00
K	SLX125-5	5 valve battery 125mm connections	£2065.00
K	SLX140-4	4 valve battery 140mm connections	£1955.00
K	SLX140-5	5 valve battery 140mm connections	£2394.00
K	SLX160-4	4 valve battery 160mm connections	£2470.00
K	SLX160-5	5 valve battery 160mm connections	£3040.00



Single Filter  
4 Valve Battery



Single Filter  
5 Valve Battery



Certikin Sight  
Glass

## Certikin Back Wash Sight Glasses

			Price
R4	SPXSG075	75mm back wash sight glass	£130.00
R4	SPXSG090	90mm back wash sight glass	£136.00
R4	SPXSG110	110mm back wash sight glass	£144.00
R4	SPXSG125	125mm back wash sight glass	£163.00
R4	SPXSG140	140mm back wash sight glass	£208.00
R4	SPXSG160	160mm back wash sight glass	£296.00

Imperial sight glasses are available. Please contact the commercial team for information and pricing.

- Valve batteries includes all butterfly valves, pipes, fittings and two pipe support (single set).
- 3 pipe supports (double set). Note: Supplied loose in kit form

Valve kits are also available in imperial measurements. Please contact us on 01993 778855.

All Diagrams are indicative only.

# Automatic 5 Valve Battery Sets

## Pneumatic Butterfly Valves

		Price
D	<b>BS075-P</b> 75mm single battery set with 5 pneumatic valves	<b>POA</b>
D	<b>BS090-P</b> 90mm single battery set with 5 pneumatic valves	<b>POA</b>
D	<b>BS110-P</b> 110mm single battery set with 5 pneumatic valves	<b>POA</b>
D	<b>BS125-P</b> 125mm single battery set with 5 pneumatic valves	<b>POA</b>
D	<b>BS140-P</b> 140mm single battery set with 5 pneumatic valves	<b>POA</b>
D	<b>BS160-P</b> 160mm single battery set with 5 pneumatic valves	<b>POA</b>
D	<b>BS200-P</b> 200mm single battery set with 5 pneumatic valves	<b>POA</b>
D	<b>BS225-P</b> 225mm single battery set with 5 pneumatic valves	<b>POA</b>

## Motorized Butterfly Valves

		Price
D	<b>BS075-M</b> 75mm single battery set with 5 motorized valves	<b>POA</b>
D	<b>BS090-M</b> 90mm single battery set with 5 motorized valves	<b>POA</b>
D	<b>BS110-M</b> 110mm single battery set with 5 motorized valves	<b>POA</b>
D	<b>BS125-M</b> 125mm single battery set with 5 motorized valves	<b>POA</b>
D	<b>BS140-M</b> 140mm single battery set with 5 motorized valves	<b>POA</b>
D	<b>BS160-M</b> 160mm single battery set with 5 motorized valves	<b>POA</b>
D	<b>BS200-M</b> 200mm single battery set with 5 motorized valves	<b>POA</b>
D	<b>BS225-M</b> 225mm single battery set with 5 motorized valves	<b>POA</b>

## Valve Support Systems - Unistrut

		Price
D	<b>GFB0013</b> 40mm Square plastic cap	<b>£1.50</b>
D	<b>GFB0021</b> Channel to floor fixing	<b>£12.50</b>
D	<b>GFB0022</b> 40mm Square channel - 2 metres long	<b>£42.00</b>
D	<b>GFB0023</b> 90mm Pipe clamp	<b>£8.00</b>
D	<b>GFB0024</b> 110mm Pipe clamp	<b>£9.50</b>
D	<b>GFB0025</b> 63mm Pipe clamp	<b>£6.50</b>
D	<b>GFB0026</b> 75mm Pipe clamp	<b>£7.00</b>
D	<b>GFB0027</b> 125mm Pipe clamp	<b>£10.20</b>
D	<b>GFB0028</b> 140mm Pipe clamp	<b>£13.50</b>
D	<b>GFB0029</b> 160mm Pipe clamp	<b>£18.00</b>



Motorized Valve



Pneumatic Valve

Note: All automatic battery sets are supplied loose and supplied with steel supports and pressure gauge panel.

Please contact the Commercial Department for information and pricing on 01993 778855



VF115A

## Accessories

		Price
D	<b>VF115A</b> Control panel for automatic valve set motorized or pneumatic (one panel per battery set required)	<b>POA</b>

# Besgo Automatic Valve



Manufactured in Switzerland, the Besgo valve is a hydraulic drive system controlled by a single 240v solenoid.

When powered the valve opens and forces the hydraulic system into an alternative position, directing water through a different route. Activate the solenoid again and the system will return to its original state, thus providing automated switching from filtration to backwash and vice versa.

## Features

- 3 to 5 bar mains water pressure or compressed air required to actuate the valve
- The solenoid can be controlled by several methods. eg timed, pressure, manual etc.
- In the event of power failure the valve remains in its closed position (normal filtration) therefore preventing accidental emptying of the pool.
- Closed in less than 2 seconds
- Silent operation
- No pressure hammer
- Low pressure loss
- With power failure valve is shut
- No need to turn the pump off
- Control panel available with backwash programme capability

## 3 Way-Valve

- When used with the backwash valve it will provide an added rinse facility after backwash
- An alternative use is for automated switching of water supply between applications. eg. two water features sharing one pump



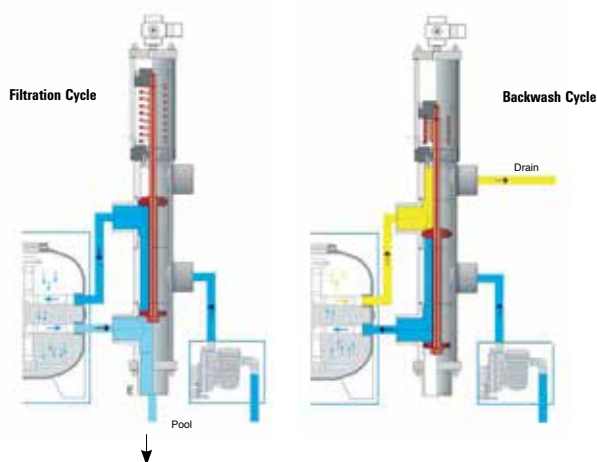
Control panel

## Besgo Automatic Backwash Valves - Complete With Solenoid Valve

		Price
E	<b>BES050/125</b> Backwash valve with 50mm solvent connections @ 125mm centres. Suits DBF filter / Alpine / Alpine Plus	<b>£825.00</b>
E	<b>BES050/130</b> Backwash valve with 50mm solvent connections @ 130mm centres. Suits Hydrosxim 520/640 filter	<b>£825.00</b>
E	<b>BES050/140</b> Backwash valve with 50mm solvent connections @ 140mm centres. Suits Hydrosxim 760 filter	<b>£825.00</b>
E	<b>BES050/190</b> Backwash valve with 50mm solvent connections @ 190mm centres. Suits Triton filter	<b>£825.00</b>
E	<b>BES050/204</b> Backwash valve with 50mm solvent connections @ 204mm centres. Suits Lacron / Vision filter	<b>£825.00</b>
E	<b>BES063/140</b> Backwash valve with 63mm solvent connections @ 140mm centres. Suits Lacron / Vision filter	<b>£968.00</b>
E	<b>BES063/215</b> Backwash valve with 63mm solvent connections @ 215mm centres. Suits Lacron / Vision filter	<b>£968.00</b>
E	<b>BES063/230</b> Backwash valve with 63mm solvent connections @ 230mm centres. Suits DBK / Alpine + Plus filter	<b>£968.00</b>
E	<b>BES075/250</b> Backwash valve with 75mm solvent connections @ 250mm centres.	<b>£1345.00</b>
E	<b>BES075/270</b> Backwash valve with 75mm solvent connections @ 270mm centres. Suits / Alpine / Alpine Plus filters	<b>£1345.00</b>
E	<b>BES090</b> Backwash valve with 90mm solvent connections @ 300mm centres.	<b>£2065.00</b>
E	<b>BES110</b> Backwash valve with 110mm solvent connections @ 360mm centres.	<b>£3067.00</b>
E	<b>BES110/400</b> Backwash valve with 110mm solvent connections @ 400mm. Suits SLX filters	<b>£3067.00</b>
E	<b>BES140</b> Backwash valve with 140mm solvent connections @ 450mm centres.	<b>£4086.00</b>

## Besgo 3 Way Valve

		Price
E	<b>BES050/APP</b> 3 way valve 50mm connections	<b>£705.00</b>
E	<b>BES063/APP</b> 3 way valve 63mm connections	<b>£824.00</b>
E	<b>BES075/APP</b> 3 way valve 75mm connections	<b>£1040.00</b>
E	<b>BES090/APP</b> 3 way valve 90mm connections	<b>£1625.00</b>
E	<b>BES110/APP</b> 3 way valve 110mm connections	<b>£2495.00</b>
E	<b>BES140/APP</b> 3 way valve 140mm connections	<b>£3295.00</b>



## Control Panel

		Price
E	<b>BESCP</b> Control panel for Besgo valve with backwash programme	<b>£820.00</b>
E	<b>BESCPP</b> Control panel plus for Besgo valves. With backwash programme for level deck systems	<b>£1640.00</b>

# Commercial Air Scourers & Commercial Multicyclone

All Air Scourers supplied by Certikin have only one moving part; a carefully balanced rotating impeller. There is no contact between the impeller and the housing thus eliminating abrasion and wear.

The unit is completely oil free and the suction and discharge ports have built in silencers that reduce noise levels to a minimum.

## Features

- All units are manufactured in die-cast aluminium alloy
- Standard motors are two pole, totally enclosed air cooled, and continuous duty rated
- IP54 protection rated
- Insulation class F
- Max temperature 40°C
- Special voltages available on request

## Accessories available upon request

- Inlet filters
- Cartridge suction filter
- Silencers
- Pressure relief valve



## Air Scourers

			Price
E	<b>BL153</b>	1.5kW 3 phase Air Scrouer	<b>£1390.00</b>
E	<b>BVC223MVM</b>	2.2kW 3 phase Air Scrouer	<b>£1955.00</b>
E	<b>BVC303MVM</b>	3.0kW 3 phase Air Scrouer	<b>£2152.00</b>
E	<b>BVC403MVM</b>	4.0kW 3 phase Air Scrouer	<b>£3392.00</b>
E	<b>BVC553MVM</b>	5.5kW 3 phase Air Scrouer	<b>£3910.00</b>

Air scrouer sizing is based on a scouring rate of 60m<sup>3</sup>/m<sup>2</sup>/hr at a pressure of 0.2 bar.

The installation of a pressure relief valve is recommended to safeguard the air blower.

## Filter / Air Scrouer Selection Chart

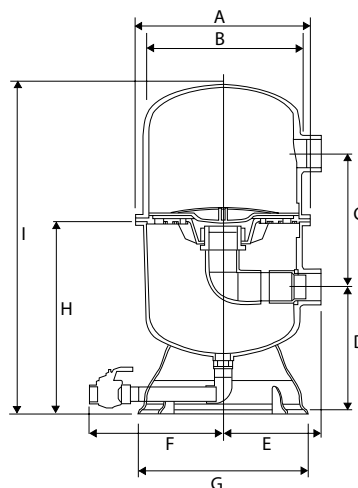
Ø (mm) Filter	Air scrouer model	Air flow m <sup>3</sup> /hr	Qty per filter
1050	BL153	52	1
1200	BL153	68	1
1400	BVC223MVM	92	1
1600	BVC223MVM	121	1
1800	BVC223MVM	153	1
2000	BVC303MVM	188	1
2350	BVC403MVM	260	1
2500	BVC553MVM	295	2
3000	BVC553MVM	424	2



Extra carriage charge applies to the Air Scourers. Please call Certikin Commercial Department for a quotation.



The Commercial Multicyclone has 70 unique cyclones which are used to remove the debris from the water prior to the filter to reduce the debris in the filter and potentially reducing the length of backwashing and saving energy and money for commercial facilities.



**Installation of the Commercial Multicyclone**  
Commercial XL70 Multicyclone should be installed post pumps and pre filter.

If flows are greater than 90m<sup>3</sup>/hr multiple units should be installed.

## Commercial Multicyclone

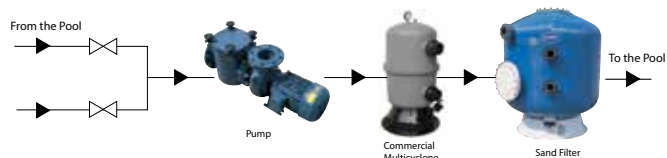
			Price
E	<b>XL70</b>	Commercial Multicyclone 70XL	<b>£1905.00</b>

## Commercial Multicyclone Features

- Connections 4" / 110mm
- Minimum flow rate 36m<sup>3</sup> / hr
- Maximum flow rate 90m<sup>3</sup> / hr
- Maximum working pressure 3.5 BAR
- Clear sight glass
- Can be quickly installed in new or existing facilities

## Dimensions - Commercial Split Tank

A	B	C	D	E	F	G	H	I
710	623.3	542.5	498.9	400	543.6	498.9	780.7	1353.4



# Pool & Spa Control Panels

## Pool Control Panels

The Certikin pool control panels offer an off the shelf, cost effective solution for pool plant control for any heater type.

### CCP01 Control Panel

MCB circuit breaker protection

Fully wired IP55 enclosure

Timed control of

- gas or oil pool heater
- pool pump (single phase 16amp)
- 1 x voltage free circuit

Switched pool lights circuit

Conforms to IEE regulations

### CCP03 Control Panel

MCB circuit breaker protection

Fully wired IP55 enclosure

Timed control of

- electric heater (single phase, max 50 amps)
- pool pump (single phase 16amp)
- 1 x voltage free circuit
- pool lights

Conforms to IEE regulations

Handy Hint: Certikin recommend the use of a pump overrun timer to protect heating equipment (not supplied).

## Spa Control Panels

H/E denotes Heat Exchanger panel with digital stat and output to motorised valve (not included). All commercial control panels include 10 minute timer on boost pump and air blower.

To all the electric controls the air bellows and air tube must be added. Commercial control panels do not contain a heater contactor.

Domestic panels contain a 2 pole air switch to work with ITT pumps with the latest EMG motors to change between high and low speed.

To all panels a ELCB must be added.

### Automatic Purging Timer

This unit can be fitted to all spa packs made since 1996. It will operate all pumps and blowers once every 24 hours irrespective of timer lock position.

Please Note: CCP01 and CCP03 do NOT comply with Amendment 3 to BS7671: 2008 (IET Wiring Regulations 17th Edition), regarding non-combustable enclosures for consumer units in domestic premises.

If this unit is intended to be installed within a domestic premises then it must be enclosed in a cabinet or enclosure constructed of non-combustible material and comply with Regulations 421.2.201 and 132.12.



## Pool Electric Control Panels

		Price
X	CCP01 Universal pool control panel for Gas, Oil & Genie heaters	£484.00
X	CCP03 Universal control panel for use with all Electric pool heaters - up to 16kW	£684.00



## Spa Electric Control Panels

		Price
E	CON3831 Commercial control 1Ø	£2105.00
E	CON3831HE Commercial control 1Ø H/E	£2280.00
E	CON3833 Commercial control 3Ø	£1880.00
E	CON3833HE Commercial control 3Ø H/E	£2235.00
E	CON3801P Bath control - pneumatic switching	£1110.00
E	CON3821 Domestic control 1Ø	£2200.00
E	CON3811P 1 pump control air up to 2HP	£370.00
E	CON3853 Automatic purging timer	£370.00
E	EL01 25A RCCB 1Ø	£65.00
E	EL02 40A RCCB 3Ø	£104.00
E	EL03 63A RCCB 1Ø	£111.00

All the RCCB (codes, EL01, EL02, EL03, EL04) prices include cover and all the trips rated to 30m/a.